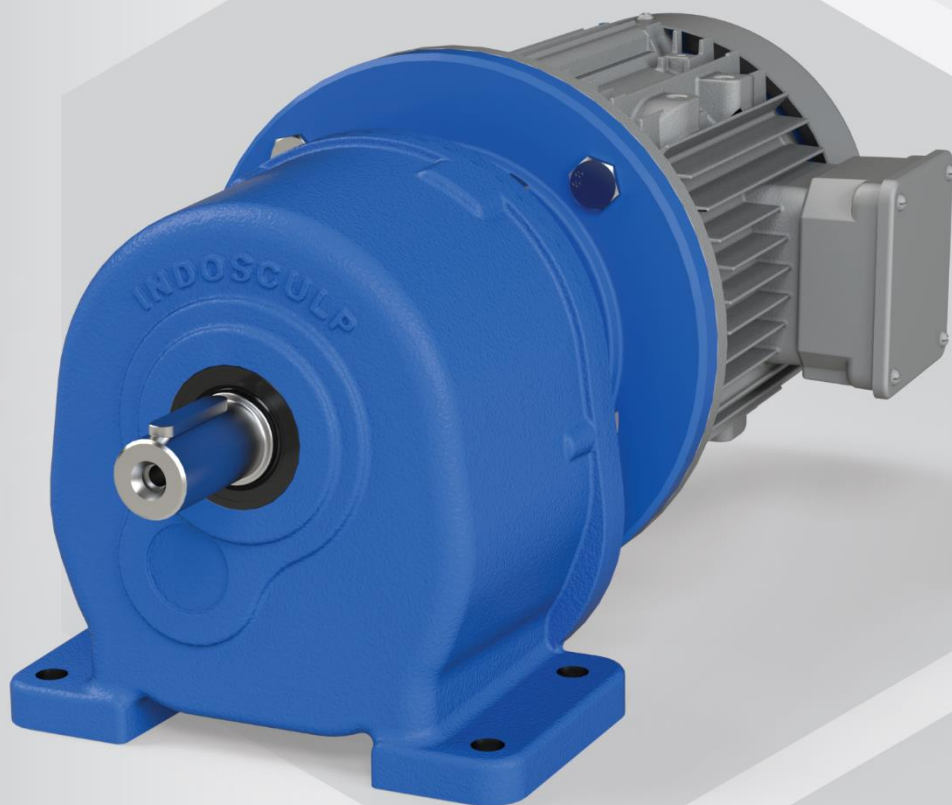


PRODUCT CATALOGUE

PS20 / PS25 / PS30 / PS35 / PS45 / PS55

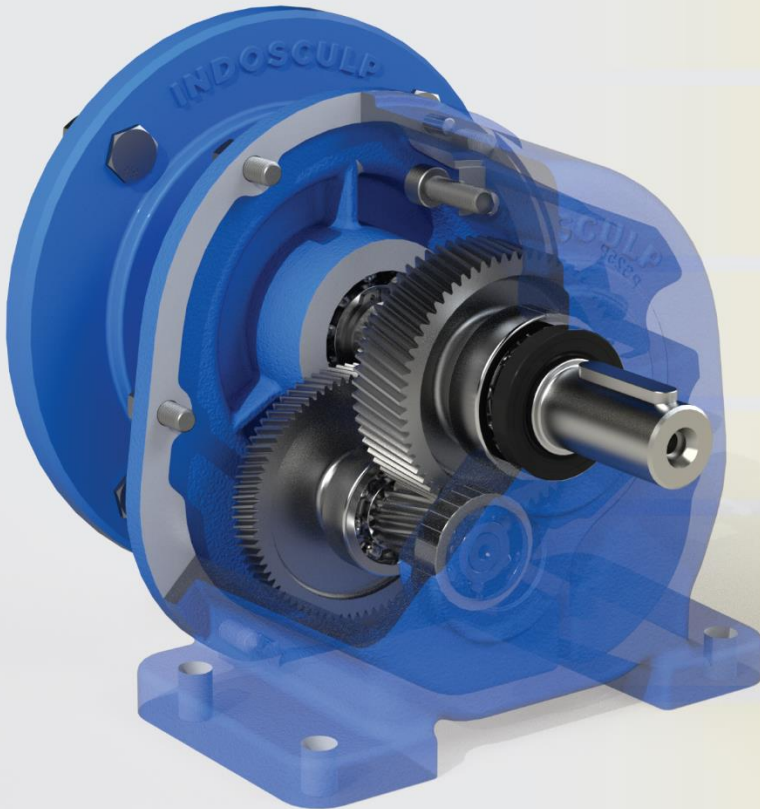
Inline Helical Gearboxes & Gearmotors



PS SERIES



INDOSCULP



Synthetic Lubricant **1**
Grade VG 320 - for longer life

Gears **2**
Forged Steel Grade 20MnCr5
Case Hardened 58-62 HRC
Gear Profile Grinding DIN 6 Accuracy
Exceptionally low Noise Level

Precision Bearings **3**
2RS Bearing at input shaft
for self lubrication & dust proofing

High Quality Nitrile (NBR) Double Lip Oil Seal **4**

Gearbox Housing **5**
Cast Iron Grade FG 260
High Toughness

Colour Indigo Blue **6**
Surface Treatment Zinc Phosphating
Pure Polyester Powder Coating

- > The gear units are designed in unibox housing to consume optimal installation space and can operate in harsh environments with minimum downtimes. Strict quality control measures are adopted at each stage of manufacturing and assembly of the gearbox
- > All units are suitable to fit with any standard IEC motor
- > Inspection Standards:

Surface hardness	UNE 7-257-72
Alignment of shaft to output flange	DIN 42955
Shaft seal tightness	Test at 1Kg/cm ²
Noise levels	Within the limits specified in VDI 2159

IN-HOUSE PRODUCTION FACILITIES

- > 40,000 Sq. Ft State of the Art Manufacturing Facility
- > Gear Cutting Machines: CNC Gear Hobbing Machine, CNC Shaving Machine, CNC Gear Grinding Machine, etc
- > Seal Quench Heat Treatment Plant
- > VMCs & HMCs
- > QA Facilities: CNC Gear Tester, CMM, Contracer, Leakage Testing Machine, UTM, Hardness Testers, Test Rig, etc



CNC Hobbing



CNC Gear Grinding



CNC Gear Profile Tester



Coordinate Measuring Machine

Designation for Gearbox

PS 30 2S P 14.01 080 B5 B3

Mounting Position

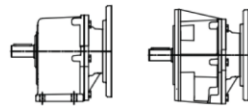
PS P **B3**(default), **B6, B7, B8, V5, V6**

PS F **B5**(default), **B51, B53, B52, V1, V3**

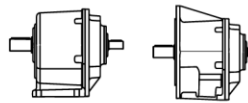
Motor Mounting

B5

Input Configuration



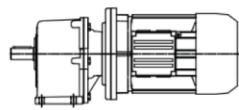
071, 080, 090, 100, 112



HS

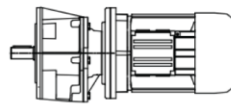
Ratio

Mounting Version



P

Foot Type



F

Flange Type

Reductions

2S = 2 Stage

3S = 3 Stage

Frame Size

25, 30, 35

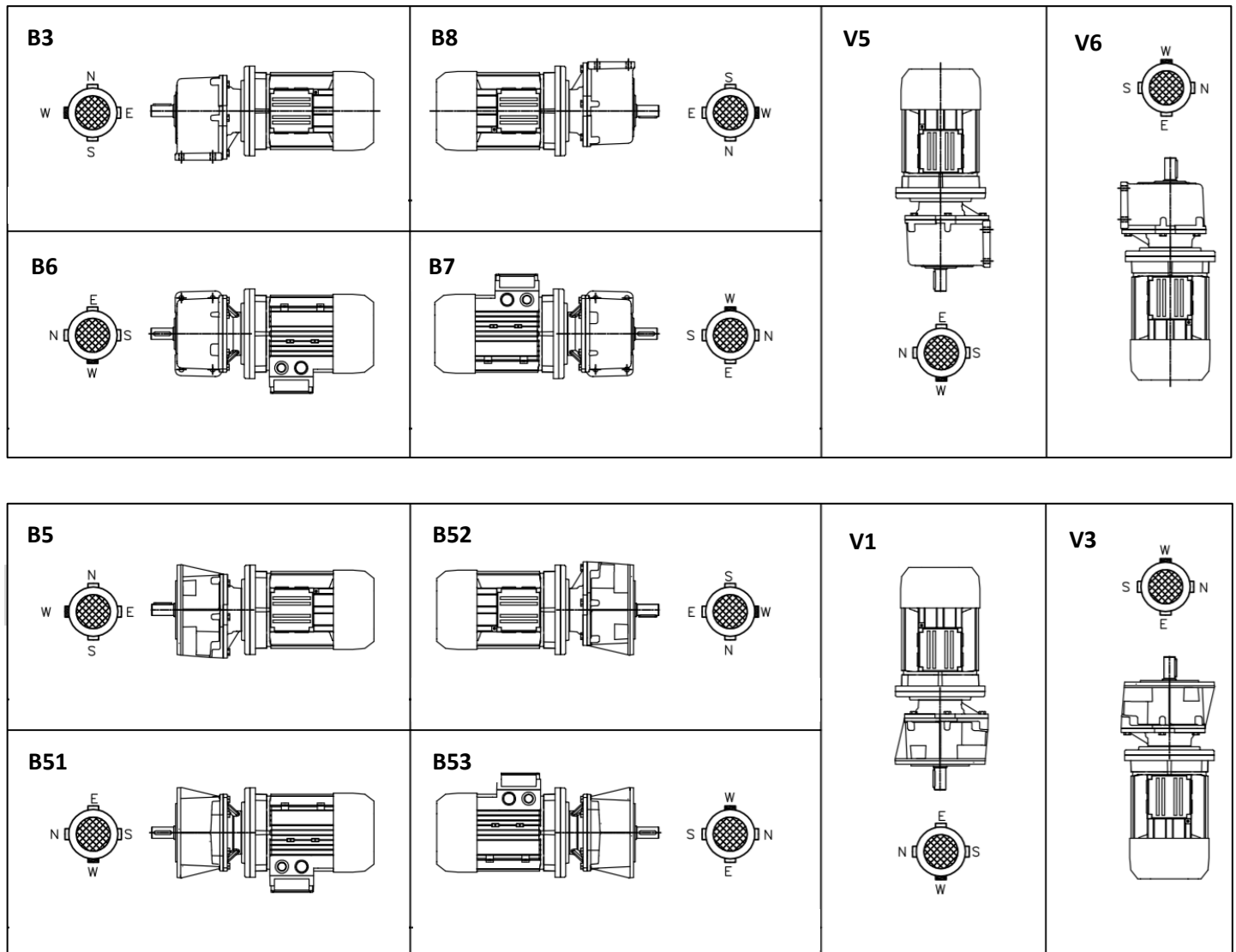
Gearbox Type

Symbols and Units of Measurement

Symbol	Unit	Description
n_2	rpm	Output rpm
M_2	Nm	Output Torque
Sf_1	-	Service Factor
i	-	Ratio
Rn_2	N	Permissible Overhung Load at Output Shaft
Rn_1	N	Permissible Overhung Load at Input Shaft
Mn_2	Nm	Rated torque at Output Shaft
Pn_1	N	Rated torque at Input Shaft

Mounting Position

Location of motor terminal boxes can be specified by viewing the motor from the fan side; standard location is represented by 'W', as in the below table.



Lubrication

The PS speed reducer sizes 25, 30, 35 are factory filled with long life synthetic lubricant, IPOL VG 320.

There is no need for periodical lubricant changes. The reducers are sealed; therefore, they feature no fill, drain and level plugs. Oil quantity allows any mounting position.

Operation of gear units is permitted at ambient temperatures between -20°C and $+40^{\circ}\text{C}$. However, for temperatures between -20°C and -10°C unit may only start up after it has been progressively pre-heated, or otherwise initially operated unloaded. Load may then be connected to the output shaft when the gear unit has reached the temperature of -10°C , or higher.

Should you carry out, for any reason, the complete change of original lubricant, the following table indicates quantity to be used.

Model	Lubricant (Litres)
PS 25	0.75
PS 30	1.50
PS 35	1.50

Selection Guidelines for Helical Gearbox

Data required for selection

- P_{n1} – Motor Power/ Input Power/ Transmitted Power [kW]
- n_1 – Input Speed [rpm]
- n_2 – Output Speed [rpm]
- i – Required Ratio
- Type of Driven Machine or nature of load on driven machine (Uniform, Moderate Shock, Heavy Shock Load, etc)
- Duration of service per day, hours
- Connection of output shaft (direct coupling, belt drive, chain/sprocket drive, gears, etc)
- Starting frequency (no. of starts per hour)
- Type of geared motor/ gear unit required
- Mounting Position

Steps for Selection

- 1) **Power Rating:** Refer Speed Reducer Rating charts
- 2) **Service Factor:** For selecting proper size of gear unit a suitable service factor is to be considered over motor power.

Steps to calculate Service Factor:

- i) Type of Load:
 - U – Uniform Load**
 - M – Moderate Shock Load**
 - H – Heavy Shock Load**
 (Refer – Load Classification table)
- ii) Mechanical Service Factor (f_1):
Refer table to find f_1 as per the **Duration of Service (hours per day)**

Duration of Service (Hours per day)	Load classification of driven machine		
	Uniform Load (U)	Moderate Shock Load (M)	Heavy Shock Load (H)
0-3	0.80	1.00	1.50
3-10	1.00	1.25	1.75
10+	1.25	1.50	2.00

Overhang Member	K
Chain Sprocket	1.00
Spur/ Helical Gear	1.25
Vee Belt Pulley	1.5
Flat Belt Pulley	2

- iii) Frequency Starts Factor (Sf_2)

Now considering Sf_1 and **starts per hour**, find your Sf_2 by referring the table.

Starts/hr	Mechanical Service Factor (Sf_1)					
	0.8	1	1.25	1.5	1.75	2
1	1.00	1.00	1.00	1.00	1.00	1.00
2-20	1.20	1.10	1.08	1.07	1.07	1.06
21-40	1.30	1.20	1.17	1.18	1.15	1.08
41-80	1.50	1.40	1.25	1.23	1.18	1.10
81-160	1.60	1.50	1.35	1.30	1.20	1.15
161-320	2.00	1.80	1.70	1.80	1.50	1.40

- iv) Service Factor = $Sf_1 \times Sf_2$

- 3) **Overhung Load:** When a sprocket/gear, etc. is used at the output shaft for transmitting power, the suitability of gear unit to take resulting radial load (acting as overhung load) is to be decided.

This can be checked using the formula:

$$R = \frac{P_{n1} \times 9550 \times k}{n_2 \times D} \times 2000 \text{ [N]}$$

Where, P_{n1} = Motor Power/ Input Power [kW]

K = Load Factor [kg]

n_2 = Output Speed [rpm]

D = Pitch Diameter of overhung load member [mm]

The calculated overhung load is to be compared with the allowable overhung load values (R_{n2}) given in Gearmotor selection chart & Speed Reducer Rating charts.

NOTE: The above calculated overhung load is taken as acting at the middle of output shaft extension. If the overhang load is acting at a distance other than middle of extension, refer the details to us. If the angle at which the overhung load acting is known, the same may also be informed.

The bearings of o/p shaft are capable of taking certain amount of externally applied axial thrust loads. If the o/p shaft is to take combined radial overhang load & axial thrust load, refer the full details to us.

Load Classification Table

Agitators		Conveyors	M	Small Waste Conveyor - Belt	U	Suction Roll	U
Pure Liquids	U	Cutter Head Drives	H	Small Waste Conveyor - Chain	M	Washers & Thickeners	M
Liquids and Solids	M	Jig Drives	H	Log Turning Device	H	Winders	U
Liquids - Variable Density	M	Maneuvering Winches	M	Sorting Table	M	Printing Presses	U
Semi - liquids Variable Density	M*	Pumps	M	Tipple Hoist Conveyor	M	Pullers	
		Screen Drive	H	Tipple Hoist Drive	M	Barge Haul	M
Blower		Stackers	M	Transfer Conveyor	H	Pumps	
Centrifugal	U	Utility Winches	M	Transfer Rolls	H	Centrifugal	H
Lobe	M	Elevators		Tray Drive	M	Proportioning	M*
Vane	U	Bucket - Uniform Load	U	Trimmer Feed	M	Reciprocating	
Brewing and Distilling		Bucket - Heavy Load	M	Waste Conveyor	M	Single Acting	
Bottling Machinery	U	Bucket - Continuous	U	Machine Tools		3 or more Cylinders	M
Brew Kettles - Continuous Duty	U	Centrifugal Discharge	U	Bending Roll	M	Double Acting	
Cookers - Continuous Duty	U	Escalators	U	Notching Press - Belt Driven	*	2 or more Cylinders	*
Mach Tubs - Continuous Duty	U	Freight	M	Plate Planer	H	Single Acting 1 or 2 Cylinders	*
Scale Hopper Frequent Starts	M	Gravity Discharge	U	Punch Press - Gear Driven	H	Double Acting	*
		Man Lifts	**	Tapping Machines	H	Single Cylinder	*
Can Filling Machines	U	Passenger	**	Main Drives	M	Rotary - Gear Type	H
		Service - Hand Lift	H	Auxiliary Drives	U	Rotary - Lobe, Vane	H
Cane Knives	M	Fans		Metal Mills		Rubber Industry	
Car Dumpers	H	Centrifugal	M	Draw Bench - Carriage	H	Mixer	H
		Cooling Towers	**	Draw Bench - Main Drive	M	Rubber Calender	M
Car Pullers - Intermittent Duty	U	Induced Draft	M	Forming Machines	H	Rubber Mill (2 or more)	M*
Clarifiers	U	Forced Draft	**	Pinch Dryer & Scrubber rolls		Sheeter	M*
Classifiers	M	Large (Mine, etc)	M*	Reversing	*	Tire Building Machines	**
		Large Industrial	M*	Slitters	M*	Tire & Tube Press Openers	**
Clay Working Machinery		Large (Small Diameter)	U	Table Conveyors		Tubers & Strainers	M
Brick Press	H	Feeders		Reversing	H	Sewage Disposal Equipment	
Briquette Machine	H	Apron	M	Non Reversing	M	Bar Screens	H
Clay Working Machinery	M	Belt	M	Wire Drawing & Flattening m/c	M	Chemical Feeders	H
Pug Mill	M	Disc	U	Wire Welding Machine	M	Collectors, Circuline or Straight	H
Compressors		Reciprocating	H	Mills, Rotary Type		Dewatering Screens	M
Centrifugal		Screw	M	Ball	H	Grit Collectors	H
Lobe		Food Industry		Cement Kilns	**	Scum Breaks	M
Reciprocating		Beet Slicer	M	Dryers & Coolers	M	Slow or Rapid Mixers	M
Multi Cylinder	M*	Cereal Cooker	U	Kilns	M	Suldge Collectors	U
Single Cylinder	H*	Dough Mixer	M	Pebble	H	Thickeners	M
Conveyors - Uniformly Loaded or Fed		Meat Grinders	M	Rod	H	Vacuum Filters	M
Apron	M	Generators (Not Welding)	U	Tumbling Barrels	H	Screens	
Assembly	M	Hammer Mills	H	Mixers		Air Washing	U
Belt	M	Laundry Washers		Concrete Mixers, Continuous	M	Rotary - Stone or Gravel	M
Bucket	M	Reversing	M	Concrete Mixers, Intermittent	U	Traveling Water Intake	U
Chain	U	Laundry Tumblers	M	Constant Density	U	Slabpushers	M
Flight	U	Line Shafts		Variable Density	M	Steering Gear	M
Oven	U	Heavy Shock Load	H	Oil Industry		Stockers	U
Conveyors - Heavy Duty Not Uniformly Loaded		Moderate Shock Load	M	Chillers	M	Textile Industry	
Apron	M	Uniform Load	U	Oil Well Pumping	**	Batchers	M
Assembly	M	Lumber Industry		Paraffin Filter Press	M	Calenders	M
Belt	M	Barker - Hydraulic/Mechanical	M	Rotary Kilns	M	Card Machines	M*
Bucket	M	Burner Conveyor	M	Paper Mills		Cloth Finishing Machines	
Chain	M	Chain Saw and Drag Saw	H	Agitators (Mixers)	M	(washers, pads, tenters, dryers, calenders, etc)	M
Flight	M	Chain Transfer	H	Barker Auxiliaries, Hydraulic	M	Dry Cans	M
Live Roll (Package)	M	Craneway Transfer	H	Barker, Mechanical	M	Dryers	M
Oven	M	De-barking Drum	H	Barking Drum	H	Dyeing Machinery	M
Reciprocating	H	Edger Feed	M	Beater & Pulper	M	Knitting Machines (Looms, etc)	*
Screw	M	Gang Feed	M	Bleacher U	U	Looms	M
Shaker	H	Green Chains	M	Calenders	M	Mangles	M
Cranes and Hoists		Live rolls	H	Calenders - Super	H	Nappers	M
Main Hoists		Log Deck	H	Converting machines, except cutters, platers	M	Pads	M
Heavy Duty	H	Log Haul - Incline	H	Conveyors	U	Range Drives	*
Medium Duty	M	Log Haul - Well type	H	Couch	M	Slashers	M
Reversing	M	Log turning device	H	Cutters, Platers	H	Soapers	M
Skip Hoists	M	Main Log Conveyor	H	Cylinders	M	Spinners	M
Trolley Drive	M*	Off Bearing Rolls	M	Dryers	M	Tenter Frames	M
Bridge Drive	M*	Planer Feed Chains	M	Felt Stretcher	M	Washers	M
Crushers		Planer Floor Chains	M	Felt Whipper	H	Winders (Other than Batchers)	M
Ore	H	Planer Tilting Hoist	M	Jordans	H	Yarn Prewparatory Machines	
Stone	H	Re-saw Merry-go-round Conveyor	M	Log Haul	H	(Cards, Spinners, Slashers, etc)	M
		Roll Cases	H	Presses	U	Windlass	M*
Dredges		Slab Conveyor	H	Pulp Machines	M		
Cable Reels	M			Reel	M		
				Stock Chests	M		

U - Unifrom Load

M - Moderate Load

H - Heavy Load

* In view of varying load conditions, it is suggested that these applications be carefully reviewed before a final selection is made

** Check Safety Codes and refer to Indosculp Customer Service

Speed Reducer Rating Chart

PS 20

100 Nm

Gearbox Type	i Ratio	n ₁ = 2800 rpm					n ₁ = 1400 rpm				
		n ₂ rpm	M _{n2} Nm	P _{n1} kW	R _{n1} N	R _{n2} N	n ₂ rpm	M _{n2} Nm	P _{n1} kW	R _{n1} N	R _{n2} N
PS 20 2S	5.49	510	50	2.8	600	730	255	60	1.7	600	950
PS 20 2S	6.46	433	50	2.4	600	800	217	60	1.4	600	1040
PS 20 2S	7.75	361	50	2.0	600	890	181	60	1.2	600	1150
PS 20 2S	8.57	327	50	1.8	600	940	163	60	1.1	600	1210
PS 20 2S	9.92	282	55	1.7	600	940	141	65	1.0	600	1220
PS 20 2S	11.67	240	55	1.5	600	1030	120	65	0.86	600	1340
PS 20 2S	14.00	200	55	1.2	600	1140	100	65	0.72	600	1470
PS 20 2S	15.48	181	55	1.1	600	1200	90	65	0.65	600	1540
PS 20 2S	18.01	155	80	1.4	600	1040	78	80	0.68	600	1490
PS 20 2S	21.19	132	80	1.2	600	1150	66	80	0.58	600	1620
PS 20 2S	25.43	110	80	0.97	600	1280	55	80	0.48	600	1780
PS 20 2S	28.13	100	80	0.88	600	1350	50	80	0.44	600	1880
PS 20 2S	31.71	88	80	0.78	600	1390	44	80	0.39	600	1940
PS 20 2S	37.31	75	80	0.66	600	1530	38	80	0.33	600	2100
PS 20 2S	44.77	63	80	0.55	600	1680	31	80	0.28	600	2290
PS 20 2S	49.52	57	80	0.50	600	1770	28.3	80	0.25	600	2400
PS 20 3S	58.10	48.2	90	0.49	330	1810	24.1	90	0.24	330	2476
PS 20 3S	64.30	43.5	90	0.44	330	1910	21.8	90	0.22	330	2595
PS 20 3S	69.20	40.5	90	0.41	330	1930	20.2	90	0.21	330	2632
PS 20 3S	81.40	34.4	90	0.35	330	2100	17.2	90	0.17	330	2800
PS 20 3S	97.70	28.7	90	0.29	330	2300	14.3	90	0.15	330	2800
PS 20 3S	108.10	25.9	90	0.26	330	2410	13.0	90	0.13	330	2800
PS 20 3S	120.10	23.3	90	0.24	330	2470	11.7	90	0.12	330	2800
PS 20 3S	141.30	19.8	90	0.20	330	2680	9.9	90	0.10	330	2800
PS 20 3S	169.50	16.5	90	0.17	330	2800	8.3	90	0.08	330	2800
PS 20 3S	187.50	14.9	90	0.15	330	2800	7.5	90	0.08	330	2800
Gearbox Type	i Ratio	n ₁ = 900 rpm					n ₁ = 700 rpm				
		n ₂ rpm	M _{n2} Nm	P _{n1} kW	R _{n1} N	R _{n2} N	n ₂ rpm	M _{n2} Nm	P _{n1} kW	R _{n1} N	R _{n2} N
PS 20 2S	5.49	164	90	1.6	600	920	128	71	1.0	600	1200
PS 20 2S	6.46	139	90	1.4	600	1030	108	71	0.85	600	1340
PS 20 2S	7.75	116	90	1.2	600	1160	90	71	0.71	600	1490
PS 20 2S	8.57	105	90	1.0	600	1240	82	71	0.64	600	1580
PS 20 2S	9.92	91	90	0.9	600	1290	71	71	0.55	600	1650
PS 20 2S	11.67	77	90	0.76	600	1420	60	71	0.47	600	1810
PS 20 2S	14.00	64	90	0.64	600	1580	50	71	0.39	600	2000
PS 20 2S	15.48	58	90	0.58	600	1670	45	72	0.36	600	2100
PS 20 2S	18.01	50	90	0.50	600	1740	39	72	0.31	600	2200
PS 20 2S	21.19	43	90	0.42	600	1900	33	71	0.26	600	2400
PS 20 2S	25.43	35	90	0.35	600	2090	28	73	0.22	600	2620
PS 20 2S	28.13	32	90	0.32	600	2190	25	73	0.20	600	2750
PS 20 2S	31.71	28	90	0.28	600	2270	22	70	0.17	600	2800
PS 20 2S	37.31	24	90	0.24	600	2460	19	73	0.15	600	2800
PS 20 2S	44.77	20	90	0.20	600	2680	16	70	0.12	600	2800
PS 20 2S	49.52	18	90	0.18	600	2800	14	71	0.11	600	2800
PS 20 3S	58.10	15.5	100	0.17	330	2800	12.0	74	0.10	330	2800
PS 20 3S	64.30	14.0	100	0.16	330	2800	10.9	73	0.09	330	2800
PS 20 3S	69.20	13.0	100	0.15	330	2800	10.1	70	0.08	330	2800
PS 20 3S	81.40	11.1	100	0.12	330	2800	8.6	72	0.07	330	2800
PS 20 3S	97.70	9.2	100	0.10	330	2800	7.2	74	0.06	330	2800
PS 20 3S	108.10	8.3	100	0.09	330	2800	6.5	69	0.05	330	2800
PS 20 3S	120.10	7.5	100	0.08	330	2800	5.8	76	0.05	330	2800
PS 20 3S	141.30	6.4	100	0.07	330	2800	5.0	72	0.04	330	2800
PS 20 3S	169.50	5.3	100	0.06	330	2800	4.1	65	0.03	330	2800
PS 20 3S	187.50	4.8	100	0.05	330	2800	3.7	71	0.03	330	2800

PS 25

200 Nm

Gearbox Type	i Ratio	n ₁ = 2800 rpm					n ₁ = 1400 rpm				
		n ₂ rpm	M _{n2} Nm	P _{n1} kW	R _{n1} N	R _{n2} N	n ₂ rpm	M _{n2} Nm	P _{n1} kW	R _{n1} N	R _{n2} N
PS 25 2S	5.02	558	80	4.9	370	660	279	120	3.7	350	760
PS 25 2S	5.92	473	90	4.7	410	670	236	120	3.1	450	800
PS 25 2S	6.47	433	90	4.3	490	720	216	120	2.9	560	860
PS 25 2S	7.88	355	100	3.9	570	760	178	120	2.3	760	1000
PS 25 2S	8.93	314	100	3.5	380	780	157	130	2.2	440	950
PS 25 2S	10.53	266	100	2.9	520	880	133	130	1.9	630	1080
PS 25 2S	11.51	243	110	2.9	520	860	122	130	1.7	720	1150
PS 25 2S	14.01	200	110	2.4	670	1000	100	130	1.4	830	1310
PS 25 2S	16.42	171	140	2.6	200	820	85	160	1.5	380	1150
PS 25 2S	19.35	145	150	2.4	300	880	72	160	1.3	580	1320
PS 25 2S	21.16	132	150	2.2	390	950	66	160	1.2	670	1400
PS 25 2S	25.75	109	160	1.9	510	1040	54	160	1.0	830	1600
PS 25 2S	31.27	90	140	1.4	310	1270	45	160	0.8	510	1720
PS 25 2S	36.86	76	150	1.3	410	1350	38	160	0.7	690	1910
PS 25 2S	40.29	69	160	1.2	430	1360	35	160	0.6	780	2020
PS 25 2S	49.04	57	160	1.0	590	1560	29	160	0.5	830	2260
PS 25 3S	60.10	46.6	180	0.9	500	1607	23.3	180	0.5	500	3200
PS 25 3S	69.60	40.2	180	0.8	420	1672	20.1	180	0.4	500	3200
PS 25 3S	82.00	34.1	180	0.7	471	1875	17.1	180	0.3	500	3200
PS 25 3S	89.70	31.2	180	0.6	496	1987	15.6	180	0.3	500	3200
PS 25 3S	109.10	25.7	180	0.5	500	239	12.8	180	0.3	500	3200
PS 25 3S	122.50	22.9	180	0.5	450	2298	11.4	180	0.2	500	3200
PS 25 3S	144.40	19.4	180	0.4	497	2537	9.7	180	0.2	500	3200
PS 25 3S	157.90	17.7	180	0.4	500	2668	8.9	180	0.2	500	3200
PS 25 3S	192.10	14.6	180	0.3	500	2967	7.3	180	0.1	500	3200
Gearbox Type	i Ratio	n ₁ = 900 rpm					n ₁ = 700 rpm				
		n ₂ rpm	M _{n2} Nm	P _{n1} kW	R _{n1} N	R _{n2} N	n ₂ rpm	M _{n2} Nm	P _{n1} kW	R _{n1} N	R _{n2} N
PS 25 2S	5.02	179	130	2.6	380	860	139	115	1.8	440	1040
PS 25 2S	5.92	152	150	2.5	410	840	118	136	1.8	420	970
PS 25 2S	6.47	139	160	2.5	450	840	108	143	1.7	500	990
PS 25 2S	7.88	114	180	2.3	560	860	89	143	1.4	830	1190
PS 25 2S	8.93	101	160	1.8	420	1030	78	143	1.2	450	1210
PS 25 2S	10.53	85	180	1.7	490	1040	66	143	1.0	750	1400
PS 25 2S	11.51	78	180	1.5	610	1120	61	143	1.0	830	1500
PS 25 2S	14.01	64	180	1.3	80	1230	50	143	0.8	830	1730
PS 25 2S	16.42	55	180	1.1	490	1380	43	143	0.7	750	1820
PS 25 2S	19.35	47	180	0.9	710	1560	36	143	0.6	830	2040
PS 25 2S	21.16	43	180	0.8	820	1670	33	143	0.5	830	2160
PS 25 2S	25.75	35	180	0.7	830	1900	27	143	0.4	830	2440
PS 25 2S	31.27	29	180	0.6	640	2030	22	143	0.4	830	2610
PS 25 2S	36.86	24	180	0.5	830	2250	19	143	0.3	830	2880
PS 25 2S	40.29	22	180	0.4	830	2380	17	143	0.3	830	3030
PS 25 2S	49.04	18	180	0.4	830	2650	14	143	0.2	830	3200
PS 25 3S	60.10	15.0	200	0.3	500	2788	11.6	143	0.2	500	3200
PS 25 3S	69.60	12.9	200	0.3	500	2910	10.1	143	0.2	500	3200
PS 25 3S	82.00	11.0	200	0.2	500	3195	8.5	143	0.1	500	3200
PS 25 3S	89.70	10.0	200	0.2	500	3200	7.8	143	0.1	500	3200
PS 25 3S	109.10	8.2	200	0.2	500	3200	6.4	143	0.1	500	3200
PS 25 3S	122.50	7.3	200	0.2	500	3200	5.7	143	0.1	500	3200
PS 25 3S	144.40	6.2	200	0.1	500	3200	4.8	143	0.1	500	3200
PS 25 3S	157.90	5.7	200	0.1	500	3200	4.4	143	0.1	500	3200
PS 25 3S	192.10	4.7	200	0.1	500	3200	3.6	143	0.1	500	3200

PS 30

350 Nm

Gearbox Type	i Ratio	n ₁ = 2800 rpm					n ₁ = 1400 rpm				
		n ₂ rpm	M _{n2} Nm	P _{n1} kW	R _{n1} N	R _{n2} N	n ₂ rpm	M _{n2} Nm	P _{n1} kW	R _{n1} N	R _{n2} N
PS 30 2S	5.11	548	160	9.7	530	1100	274	230	6.9	550	1350
PS 30 2S	6.22	450	180	8.9	710	1200	225	230	5.7	850	1500
PS 30 2S	6.93	404	180	8.0	930	1300	202	230	5.1	1000	1600
PS 30 2S	7.51	373	180	7.4	590	1300	186	230	4.7	700	1600
PS 30 2S	7.78	360	180	7.1	1000	1400	180	230	4.6	1000	1750
PS 30 2S	9.14	306	210	7.1	690	1300	153	260	4.4	920	1650
PS 30 2S	10.18	275	210	6.4	910	1400	138	260	3.9	1000	1800
PS 30 2S	11.43	245	210	5.7	1000	1550	122	260	3.5	1000	2000
PS 30 2S	12.62	222	220	5.4	460	1500	111	260	3.2	770	2000
PS 30 2S	15.37	182	240	4.8	710	1600	91	260	2.6	1000	2300
PS 30 2S	17.11	164	240	4.3	930	1750	82	260	2.3	1000	2500
PS 30 2S	19.21	146	240	3.9	1000	1900	73	260	2.1	1000	2600
PS 30 2S	24.19	116	250	3.2	430	2000	58	320	2.0	490	2500
PS 30 2S	29.45	95	300	3.1	460	2000	48	320	1.7	1000	2800
PS 30 2S	32.80	85	320	3.0	560	2000	43	320	1.5	1000	3050
PS 30 2S	36.82	76	320	2.7	810	2200	38	320	1.3	1000	3300
PS 30 3S	41.20	68.0	320	2.5	660	2350	34.0	320	1.2	660	3500
PS 30 3S	46.20	60.6	320	2.2	660	2550	30.3	320	1.1	660	3700
PS 30 3S	54.00	51.9	320	1.9	660	2650	25.9	320	0.9	660	3900
PS 30 3S	65.80	42.6	320	1.5	660	3050	21.3	320	0.8	660	4300
PS 30 3S	73.60	38.0	320	1.4	660	3250	19.0	320	0.7	660	4600
PS 30 3S	82.20	34.1	320	1.2	660	3500	17.0	320	0.6	660	4860
PS 30 3S	99.30	28.2	320	1.0	660	3700	14.1	320	0.5	660	5200
PS 30 3S	120.90	23.2	320	0.8	660	4150	11.6	320	0.4	660	5500
PS 30 3S	134.70	20.8	320	0.8	660	4400	10.4	320	0.4	660	5500
PS 30 3S	151.10	18.5	320	0.7	660	4700	9.3	320	0.3	660	5500
Gearbox Type	i Ratio	n ₁ = 900 rpm					n ₁ = 700 rpm				
		n ₂ rpm	M _{n2} Nm	P _{n1} kW	R _{n1} N	R _{n2} N	n ₂ rpm	M _{n2} Nm	P _{n1} kW	R _{n1} N	R _{n2} N
PS 30 2S	5.11	176	320	6.2	400	1370	137	250	3.8	430	1590
PS 30 2S	6.22	145	320	5.1	590	1230	113	250	3.1	900	1790
PS 30 2S	6.93	130	320	4.6	740	1210	101	250	2.8	1000	2080
PS 30 2S	7.51	120	320	4.2	530	1670	93	250	2.6	670	2050
PS 30 2S	7.78	116	320	4.1	1000	1610	90	250	2.5	1000	2270
PS 30 2S	9.14	98	320	3.5	870	1810	77	250	2.1	1000	2440
PS 30 2S	10.18	88	320	3.1	1000	1980	69	250	1.9	1000	2650
PS 30 2S	11.43	79	320	2.8	1000	2170	61	250	1.7	1000	2870
PS 30 2S	12.62	71	320	2.5	680	2170	55	250	1.5	1000	2890
PS 30 2S	15.37	59	320	2.1	1000	2520	46	250	1.3	1000	3310
PS 30 2S	17.11	53	320	1.9	1000	2720	41	250	1.1	1000	3540
PS 30 2S	19.21	47	320	1.7	1000	2930	36	250	1.0	1000	3800
PS 30 2S	24.19	37	320	1.3	1000	3180	29	250	0.8	1000	4120
PS 30 2S	29.45	31	320	1.1	1000	3600	24	250	0.7	1000	4620
PS 30 2S	32.80	27	320	1.0	1000	3840	21	250	0.6	1000	4900
PS 30 2S	36.82	24.4	320	0.9	1000	4090	19.0	250	0.5	1000	5210
PS 30 3S	41.20	21.8	350	0.9	660	4100	17.0	250	0.5	660	5450
PS 30 3S	46.20	19.5	350	0.8	660	4400	15.2	250	0.4	660	5500
PS 30 3S	54.00	16.7	350	0.7	660	4600	13.0	250	0.4	660	5500
PS 30 3S	65.80	13.7	350	0.5	660	5200	10.6	250	0.3	660	5500
PS 30 3S	73.60	12.2	350	0.5	660	5450	9.5	250	0.3	660	5500
PS 30 3S	82.20	10.9	350	0.4	660	5500	8.5	250	0.2	660	5500
PS 30 3S	99.30	9.1	350	0.4	660	5500	7.0	250	0.2	660	5500
PS 30 3S	120.90	7.4	350	0.3	660	5500	5.8	250	0.2	660	5500
PS 30 3S	134.70	6.7	350	0.3	660	5500	5.2	250	0.1	660	5500
PS 30 3S	151.10	6.0	350	0.2	660	5500	4.6	250	0.1	660	5500

PS 35

530 Nm

Gearbox Type	i Ratio	n ₁ = 2800 rpm					n ₁ = 1400 rpm				
		n ₂ rpm	M _{n2} Nm	P _{n1} kW	R _{n1} N	R _{n2} N	n ₂ rpm	M _{n2} Nm	P _{n1} kW	R _{n1} N	R _{n2} N
PS 35 2S	5.11	548	270	16.3	640	3690	274	340	10.3	900	4500
PS 35 2S	6.22	450	270	13.4	850	4060	225	340	8.4	1050	4950
PS 35 2S	6.93	404	270	12.0	910	460	202	340	7.6	1140	5200
PS 35 2S	7.51	373	270	11.1	830	433	186	340	7.0	1050	5280
PS 35 2S	7.78	360	270	10.7	960	4490	180	340	6.7	1200	5480
PS 35 2S	9.14	306	320	10.8	850	4460	153	400	6.7	1100	5460
PS 35 2S	10.18	275	320	9.7	910	4690	138	400	6.1	1150	5470
PS 35 2S	11.43	245	320	8.6	960	4940	122	400	5.4	1150	6050
PS 35 2S	12.62	222	360	8.8	660	4800	111	400	4.9	1050	6160
PS 35 2S	15.37	182	360	7.2	880	5290	91	400	4.0	1150	6750
PS 35 2S	17.11	164	360	6.5	940	5560	82	400	3.6	1150	7070
PS 35 2S	19.21	146	360	5.8	990	5850	73	400	3.2	1150	7200
PS 35 2S	24.19	116	480	6.1	370	5600	58	480	3.1	1150	7200
PS 35 2S	29.45	95	480	5.0	700	6190	48	480	2.5	1150	7200
PS 35 2S	32.80	85	480	4.5	860	6530	43	480	2.3	1150	7200
PS 35 2S	36.82	76	480	4.0	920	6890	38	480	2.0	1150	7200
PS 35 3S	41.20	68.0	480	3.7	700	7200	34.0	480	1.8	830	7200
PS 35 3S	46.20	60.6	480	3.3	750	7200	30.3	480	1.6	830	7200
PS 35 3S	54.00	51.9	480	2.8	650	7200	25.9	480	1.4	830	7200
PS 35 3S	65.80	42.6	480	2.3	750	7200	21.3	480	1.2	830	7200
PS 35 3S	73.60	38.0	480	2.1	830	7200	19.0	480	1.0	830	7200
PS 35 3S	82.20	34.1	480	1.8	830	7200	17.0	480	0.9	830	7200
PS 35 3S	99.30	28.2	480	1.5	750	7200	14.1	480	0.8	830	7200
PS 35 3S	120.90	23.2	480	1.3	830	7200	11.6	480	0.6	830	7200
PS 35 3S	134.70	20.8	480	1.1	830	7200	10.4	480	0.6	830	7200
PS 35 3S	151.10	18.5	480	1.0	830	7200	9.3	480	0.5	830	7200
Gearbox Type	i Ratio	n ₁ = 900 rpm					n ₁ = 700 rpm				
		n ₂ rpm	M _{n2} Nm	P _{n1} kW	R _{n1} N	R _{n2} N	n ₂ rpm	M _{n2} Nm	P _{n1} kW	R _{n1} N	R _{n2} N
PS 35 2S	5.11	176	480	9.3	590	4610	137	379	5.7	1110	5740
PS 35 2S	6.22	145	480	7.6	1060	5150	113	379	4.7	1160	6340
PS 35 2S	6.93	130	480	6.9	1160	5450	101	379	4.2	1160	6730
PS 35 2S	7.51	120	480	6.3	970	5510	93	379	3.9	1160	6810
PS 35 2S	7.78	116	480	6.1	1160	5770	90	379	3.8	1160	7110
PS 35 2S	9.14	98	480	5.2	1160	6100	77	379	3.2	1160	7200
PS 35 2S	10.18	88	480	4.7	1160	6430	69	379	2.9	1160	7200
PS 35 2S	11.43	79	480	4.2	1160	6790	61	379	2.6	1160	7200
PS 35 2S	12.62	71	480	3.8	1160	6900	55	379	2.3	1160	7200
PS 35 2S	15.37	59	480	3.1	1160	7200	46	379	1.9	1160	7200
PS 35 2S	17.11	53	480	2.8	1160	7200	41	379	1.7	1160	7200
PS 35 2S	19.21	47	480	2.5	1160	7200	36	378	1.5	1160	7200
PS 35 2S	24.19	37	480	2.0	1160	7200	29	379	1.2	1160	7200
PS 35 2S	29.45	31	480	1.6	1160	7200	24	378	1.0	1160	7200
PS 35 2S	32.80	27	480	1.5	1160	7200	21	378	0.9	1160	7200
PS 35 2S	36.82	24.4	480	1.3	1160	7200	19.0	378	0.8	1160	7200
PS 35 3S	41.20	21.8	530	1.3	830	7200	17.0	379	0.7	830	7200
PS 35 3S	46.20	19.5	530	1.2	830	7200	15.2	379	0.7	830	7200
PS 35 3S	54.00	16.7	530	1.0	830	7200	13.0	379	0.6	830	7200
PS 35 3S	65.80	13.7	530	0.8	830	7200	10.6	379	0.5	830	7200
PS 35 3S	73.60	12.2	530	0.7	830	7200	9.5	379	0.4	830	7200
PS 35 3S	82.20	10.9	530	0.7	830	7200	8.5	379	0.4	830	7200
PS 35 3S	99.30	9.1	530	0.5	830	7200	7.0	379	0.3	830	7200
PS 35 3S	120.90	7.4	530	0.4	830	7200	5.8	379	0.3	830	7200
PS 35 3S	134.70	6.7	530	0.4	830	7200	5.2	379	0.2	830	7200
PS 35 3S	151.10	6.0	530	0.4	830	7200	4.6	379	0.2	830	7200

PS 45

800 Nm

Gearbox Type	i Ratio	n ₁ = 2800 rpm					n ₁ = 1400 rpm				
		n ₂ rpm	M _{n2} Nm	P _{n1} kW	R _{n1} N	R _{n2} N	n ₂ rpm	M _{n2} Nm	P _{n1} kW	R _{n1} N	R _{n2} N
PS 45 2S	4.42	633	420	29.3	1750	3500	317	520	18.1	1750	4250
PS 45 2S	4.89	573	420	26.5	1750	3700	286	520	16.4	1750	4500
PS 45 2S	5.43	516	420	23.8	1750	3900	258	520	14.8	1750	4800
PS 45 2S	6.07	461	420	21.3	1750	4100	231	520	13.2	1750	5050
PS 45 2S	8.14	344	520	19.7	1750	4100	172	650	12.3	1750	5000
PS 45 2S	9.00	311	520	17.8	1750	4300	156	650	11.1	1750	5300
PS 45 2S	10.00	280	520	16.0	1750	4600	140	650	10.0	1750	5600
PS 45 2S	11.18	250	520	14.3	1750	4900	125	650	9.0	1750	6000
PS 45 2S	12.89	217	590	14.1	1750	4700	109	650	7.8	1750	6200
PS 45 2S	14.25	196	590	12.8	1750	5000	98	650	7.0	1750	6500
PS 45 2S	15.83	177	590	11.5	1750	5300	88	650	6.3	1750	6900
PS 45 2S	17.70	158	590	10.3	1750	5600	79	650	5.7	1750	7300
PS 45 2S	19.99	140	720	11.1	1750	5200	70	720	5.6	1750	7200
PS 45 2S	22.09	127	720	10.0	1750	5500	63	720	5.0	1750	7500
PS 45 2S	24.55	114	720	9.0	1750	5800	57	720	4.5	1750	8000
PS 45 2S	27.45	102	720	8.1	1750	6200	51	720	4.0	1750	8400
PS 45 3S	31.1	90	720	7.3	1050	7150	45.0	720	3.7	1080	9400
PS 45 3S	34.4	81	720	6.6	1080	7500	41.0	720	3.3	1080	9500
PS 45 3S	38.2	73	720	6.0	1080	7900	37.0	720	3.0	1080	9500
PS 45 3S	42.7	66	720	5.3	1080	8300	33.0	720	2.7	1080	9500
PS 45 3S	45.7	61	720	5.0	1080	8350	31.0	720	2.5	1080	9500
PS 45 3S	50.5	55	720	4.5	1080	8800	27.7	720	2.3	1080	9500
PS 45 3S	56.1	50	720	4.1	1080	9200	25.0	720	2.0	1080	9500
PS 45 3S	62.7	45	720	3.6	1080	9500	22.3	720	1.8	1080	9500
PS 45 3S	76.8	36	720	3.0	1080	9500	18.2	720	1.5	1080	9500
PS 45 3S	84.9	33	720	2.7	1080	9500	16.5	720	1.3	1080	9500
PS 45 3S	94.3	29.7	720	2.4	1080	9500	14.8	720	1.2	1080	9500
PS 45 3S	105.5	26.5	720	2.2	1080	9500	13.3	720	1.1	1080	9500
PS 45 3S	147.2	19.0	720	1.5	1080	9500	9.5	720	0.77	1080	9500
PS 45 3S	162.7	17.2	720	1.4	1080	9500	8.6	720	0.70	1080	9500
PS 45 3S	180.7	15.5	720	1.3	1080	9500	7.7	720	0.63	1080	9500
PS 45 3S	202.1	13.9	720	1.1	1080	9500	6.9	720	0.56	1080	9500

PS 45

800 Nm

Gearbox Type	i Ratio	n ₁ = 900 rpm					n ₁ = 700 rpm				
		n ₂ rpm	M _{n2} Nm	P _{n1} kW	R _{n1} N	R _{n2} N	n ₂ rpm	M _{n2} Nm	P _{n1} kW	R _{n1} N	R _{n2} N
PS 45 2S	4.42	204	720	16.1	1750	4250	158	571	10.0	1750	5350
PS 45 2S	4.89	184	720	14.6	1750	4600	143	571	9.0	1750	5700
PS 45 2S	5.43	166	720	13.1	1750	4900	129	571	8.1	1750	6100
PS 45 2S	6.07	148	720	11.8	1750	5200	115	571	7.3	1750	6500
PS 45 2S	8.14	111	720	8.8	1750	5800	86	571	5.4	1750	7200
PS 45 2S	9.00	100	720	7.9	1750	6200	78	571	4.9	1750	7600
PS 45 2S	10.00	90	720	7.1	1750	6500	70	571	4.4	1750	8000
PS 45 2S	11.18	81	720	6.4	1750	6900	63	571	3.9	1750	8500
PS 45 2S	12.89	70	720	5.5	1750	7200	54	571	3.4	1750	8800
PS 45 2S	14.25	63	720	5.0	1750	7600	49	571	3.1	1750	9300
PS 45 2S	15.83	57	720	4.5	1750	8000	44	571	2.8	1750	9500
PS 45 2S	17.70	51	720	4.0	1750	8400	40	571	2.5	1750	9500
PS 45 2S	19.99	45	720	3.6	1750	8700	35	571	2.2	1750	9500
PS 45 2S	22.09	41	720	3.2	1750	9100	32	571	2.0	1750	9500
PS 45 2S	24.55	37	720	2.9	1750	9500	29	571	1.8	1750	9500
PS 45 2S	27.45	33	720	2.6	1750	9500	26	571	1.6	1750	9500
PS 45 3S	31.1	28.9	800	2.6	1080	9500	23.0	572	1.5	1080	9500
PS 45 3S	34.4	26.2	800	2.4	1080	9500	20.0	572	1.3	1080	9500
PS 45 3S	38.2	23.6	800	2.1	1080	9500	18.0	572	1.2	1080	9500
PS 45 3S	42.7	21.1	800	1.9	1080	9500	16.0	571	1.1	1080	9500
PS 45 3S	45.7	19.7	800	1.8	1080	9500	15.0	572	0.99	1080	9500
PS 45 3S	50.5	17.8	800	1.6	1080	9500	14.0	572	0.89	1080	9500
PS 45 3S	56.1	16.0	800	1.4	1080	9500	12.0	571	0.81	1080	9500
PS 45 3S	62.7	14.4	800	1.3	1080	9500	11.0	571	0.72	1080	9500
PS 45 3S	76.8	11.7	800	1.1	1080	9500	9.0	571	0.59	1080	9500
PS 45 3S	84.9	10.6	800	0.96	1080	9500	8.0	572	0.53	1080	9500
PS 45 3S	94.3	9.5	800	0.86	1080	9500	7.0	572	0.48	1080	9500
PS 45 3S	105.5	8.5	800	0.77	1080	9500	7.0	571	0.43	1080	9500
PS 45 3S	147.2	6.1	800	0.55	1080	9500	5.0	572	0.31	1080	9500
PS 45 3S	162.7	5.5	800	0.50	1080	9500	4.0	571	0.28	1080	9500
PS 45 3S	180.7	5.0	800	0.45	1080	9500	4.0	571	0.25	1080	9500
PS 45 3S	202.1	4.5	800	0.40	1080	9500	3.0	571	0.22	1080	9500

PS 55

1350 Nm

Gearbox Type	i Ratio	n ₁ = 2800 rpm					n ₁ = 1400 rpm				
		n ₂ rpm	M _{n2} Nm	P _{n1} kW	R _{n1} N	R _{n2} N	n ₂ rpm	M _{n2} Nm	P _{n1} kW	R _{n1} N	R _{n2} N
PS 55 2S	4.55	615	640	43.0	2350	6460	308	800	27.0	2500	7890
PS 55 2S	5.07	552	640	39.0	2500	6850	276	800	24.0	2500	8400
PS 55 2S	5.68	493	640	35.0	2500	7300	246	800	22.0	2500	8900
PS 55 2S	6.42	436	640	31.0	2500	7720	218	800	19.0	2500	9450
PS 55 2S	7.31	383	900	38.0	1230	6650	192	1100	23.0	1616	8200
PS 55 2S	8.14	344	900	34.0	2240	7100	172	1100	21.0	2500	8800
PS 55 2S	9.13	307	900	30.0	2420	7600	153	1100	18.6	2500	9400
PS 55 2S	10.31	272	900	27.0	2500	8150	136	1100	16.4	2500	10100
PS 55 2S	11.31	248	1000	27.0	1210	7700	124	1100	15.0	2500	10100
PS 55 2S	12.60	222	1000	24.0	2250	8250	111	1100	13.5	2500	10800
PS 55 2S	14.13	198	1000	22.0	2430	8800	99	1100	12.0	2500	11500
PS 55 2S	15.96	175	1000	19.3	2500	9400	88	1100	10.6	2500	12200
PS 55 2S	18.31	153	1100	18.5	1030	9150	76	1200	10.1	2500	12000
PS 55 2S	20.40	137	1200	18.1	1270	9300	69	1200	9.1	2500	12800
PS 55 2S	22.87	122	1200	16.2	2280	9950	61	1200	8.1	2500	13600
PS 55 2S	25.84	108	1200	14.3	2470	10700	54	1200	7.2	2500	14400
PS 55 3S	29.8	94	1200	12.7	1050	12100	47	1200	6.4	1600	15000
PS 55 3S	33.2	84	1200	11.4	1300	12800	42	1200	5.7	1600	15000
PS 55 3S	37.2	75	1200	10.2	1500	13500	38	1200	5.1	1600	15000
PS 55 3S	42.1	67	1200	9.0	1600	14300	33	1200	4.5	1600	15000
PS 55 3S	54.9	51	1200	6.9	1500	15000	26	1200	3.5	1600	15000
PS 55 3S	61.2	46	1200	6.2	1600	15000	22.9	1200	3.1	1600	15000
PS 55 3S	68.6	41	1200	5.5	1600	15000	20.4	1200	2.8	1600	15000
PS 55 3S	77.5	36	1200	4.9	1600	15000	18.1	1200	2.4	1600	15000
PS 55 3S	87.0	32	1200	4.4	1600	15000	16.1	1200	2.2	1600	15000
PS 55 3S	96.9	29	1200	3.9	1600	15000	14.4	1200	2.0	1600	15000
PS 55 3S	108.6	25.8	1200	3.5	1600	15000	12.9	1200	1.7	1600	15000
PS 55 3S	122.7	22.8	1200	3.1	1600	15000	11.4	1200	1.5	1600	15000
PS 55 3S	134.8	20.8	1200	2.8	1600	15000	10.4	1200	1.40	1600	15000
PS 55 3S	150.2	18.6	1200	2.5	1600	15000	9.3	1200	1.30	1600	15000
PS 55 3S	168.4	16.6	1200	2.3	1600	15000	8.3	1200	1.10	1600	15000
PS 55 3S	190.3	14.7	1200	2.0	1600	15000	7.4	1200	1.00	1600	15000

PS 55

1350 Nm

Gearbox Type	i Ratio	n ₁ = 900 rpm					n ₁ = 700 rpm				
		n ₂ rpm	M _{n2} Nm	P _{n1} kW	R _{n1} N	R _{n2} N	n ₂ rpm	M _{n2} Nm	P _{n1} kW	R _{n1} N	R _{n2} N
PS 55 2S	4.55	198	1200	26	1500	8080	154	1350	16.3	1250	10000
PS 55 2S	5.07	178	1200	23	1800	8160	138	1350	14.7	2500	10000
PS 55 2S	5.68	158	1200	21	2500	8790	123	1350	13.1	2500	11000
PS 55 2S	6.42	140	1200	18.5	2500	9450	109	1350	11.6	2500	11700
PS 55 2S	7.31	123	1200	16.3	2500	9650	96	1350	10.2	2500	11900
PS 55 2S	8.14	111	1200	14.6	2500	10300	86	1350	9.1	2500	12700
PS 55 2S	9.13	99	1200	13.0	2500	11000	76.7	1350	8.1	2500	13500
PS 55 2S	10.31	87	1200	11.5	2500	11750	67.9	1350	7.2	2500	14400
PS 55 2S	11.31	80	1200	10.5	2500	11840	61.9	1350	6.6	2500	14500
PS 55 2S	12.60	71	1200	9.4	2500	12560	55.6	1350	5.9	2500	15000
PS 55 2S	14.13	64	1200	8.4	2500	13340	49.5	1350	5.3	2500	15000
PS 55 2S	15.96	56	1200	7.5	2500	14170	43.9	1350	4.7	2500	15000
PS 55 2S	18.31	49	1200	6.5	2500	14610	38.2	1350	4.1	2500	15000
PS 55 2S	20.40	44	1200	5.8	2500	15000	34.3	1350	3.6	2500	15000
PS 55 2S	22.87	39	1200	5.2	2500	15000	30.6	1350	3.2	2500	15000
PS 55 2S	25.84	35	1200	4.6	2500	15000	27.1	1350	2.9	2500	15000
PS 55 3S	29.8	30.2	1350	4.6	1600	15000	23.5	1350	2.6	1600	15000
PS 55 3S	33.2	27.1	1350	4.1	1600	15000	21.1	1350	2.3	1600	15000
PS 55 3S	37.2	24.2	1350	3.7	1600	15000	18.8	1350	2.0	1600	15000
PS 55 3S	42.1	21.4	1350	3.3	1600	15000	16.6	1350	1.8	1600	15000
PS 55 3S	54.9	16.4	1350	2.5	1600	15000	12.8	1350	1.40	1600	15000
PS 55 3S	61.2	14.7	1350	2.2	1600	15000	11.4	1350	1.20	1600	15000
PS 55 3S	68.6	13.1	1350	2.0	1600	15000	10.2	1350	1.10	1600	15000
PS 55 3S	77.5	11.6	1350	1.8	1600	15000	9.0	1350	0.98	1600	15000
PS 55 3S	87.0	10.3	1350	1.6	1600	15000	8.0	1350	0.88	1600	15000
PS 55 3S	96.9	9.3	1350	1.40	1600	15000	7.2	1350	0.79	1600	15000
PS 55 3S	108.6	8.3	1350	1.30	1600	15000	6.4	1350	0.70	1600	15000
PS 55 3S	122.7	7.3	1350	1.10	1600	15000	5.7	1350	0.62	1600	15000
PS 55 3S	134.8	6.7	1350	1.00	1600	15000	5.2	1350	0.57	1600	15000
PS 55 3S	150.2	6.0	1350	0.91	1600	15000	4.7	1350	0.51	1600	15000
PS 55 3S	168.4	5.3	1350	0.81	1600	15000	4.2	1350	0.45	1600	15000
PS 55 3S	190.3	4.7	1350	0.72	1600	15000	3.7	1350	0.40	1600	15000

Gearmotor Selection Charts

PS SERIES / Inline Helical Gearbox

0.09 kW / 0.12 HP

n_2 o/p rpm	M_2 Nm	Sf_1	i Ratio	Rn_2 N	IEC Model	Motor Size	Pole
4.7	174	1.1	192.10	3200	PS 25 3S 063 B5	63S	6
5.7	143	1.4	157.90	3200	PS 25 3S 063 B5	63S	6
6.2	131	1.6	144.40	3200	PS 25 3S 063 B5	63S	6
7.0	111	1.9	122.50	3200	PS 25 3S 063 B5	63S	6
7.5	107	0.9	120.10	2800	PS 20 3S 063 B5	63S	6
8.0	99	2.1	109.10	3200	PS 25 3S 063 B5	63S	6
8.3	96	1	108.10	2800	PS 20 3S 063 B5	63S	6
9.2	87	1.1	97.70	2800	PS 20 3S 063 B5	63S	6
10.0	81	2.5	89.70	3200	PS 25 3S 063 B5	63S	6
11.0	74	2.8	82.00	3195	PS 25 3S 063 B5	63S	6
11.1	72	1.3	81.40	2800	PS 20 3S 063 B5	63S	6
13.0	63	3.3	69.60	2910	PS 25 3S 063 B5	63S	6
13.0	61	1.7	69.20	2800	PS 20 3S 063 B5	63S	6
14.0	57	1.8	64.30	2800	PS 20 3S 063 B5	63S	6
15.5	52	1.9	58.10	2800	PS 20 3S 063 B5	63S	6
18.2	45	2	49.52	2800	PS 20 2S 063 B5	63S	6
20.1	41	2.2	44.77	2680	PS 20 2S 063 B5	63S	6
24.1	34	2.7	37.31	2460	PS 20 2S 063 B5	63S	6
28.4	29	3.1	31.71	2270	PS 20 2S 063 B5	63S	6
32.0	26	3.6	28.13	2190	PS 20 2S 063 B5	63S	6
35.4	23	3.9	25.43	2090	PS 20 2S 063 B5	63S	6

PS SERIES / Inline Helical Gearbox

0.12 kW / 0.16 HP

n_2 o/p rpm	M_2 Nm	Sf_1	i Ratio	Rn_2 N	IEC Model	Motor Size	Pole
5.8	185	1.1	157.90	3200	PS 25 3S 063 B5	63L	6
6.3	169	1.2	144.40	3200	PS 25 3S 063 B5	63L	6
6.3	169	1.2	144.40	3200	PS 25 3S 063 B5	63L	6
7.3	146	1.2	192.10	3200	PS 25 3S 063 B5	63S	4
7.3	146	1.4	122.50	3200	PS 25 3S 063 B5	63L	6
8.3	128	1.6	109.10	3200	PS 25 3S 063 B5	63L	6
8.9	120	1.5	157.90	3200	PS 25 3S 063 B5	63S	4
9.7	110	1.6	108.10	3200	PS 25 3S 063 B5	63S	4
10.1	105	1.9	89.70	3200	PS 25 3S 063 B5	63L	6
11.1	96	2.1	82.00	3200	PS 25 3S 063 B5	63L	6
11.1	96	1.0	81.40	2800	PS 20 3S 063 B5	63L	6
11.4	93	1.9	81.40	3200	PS 25 3S 063 B5	63S	4
11.7	91	1.0	120.10	2800	PS 20 3S 063 B5	63S	4
12.8	83	2.2	109.10	3200	PS 25 3S 063 B5	63S	4
13.0	82	1.1	108.10	2800	PS 20 3S 063 B5	63S	4
13.0	82	1.3	69.20	2800	PS 20 3S 063 B5	63L	6
13.1	82	2.5	69.60	2910	PS 25 3S 063 B5	63L	6
14.0	76	1.3	64.30	2800	PS 20 3S 063 B5	63L	6
14.3	74	1.2	97.70	2800	PS 20 3S 063 B5	63S	4
15.5	69	1.4	58.10	2800	PS 20 3S 063 B5	63L	6
15.6	68	2.6	89.70	3200	PS 25 3S 063 B5	63S	4
17.1	62	2.9	82.00	3200	PS 25 3S 063 B5	63S	4
17.2	62	1.5	81.40	2800	PS 20 3S 063 B5	63S	4
18.2	60	1.5	49.52	2800	PS 20 2S 063 B5	63L	6
20.1	54	1.7	44.77	2680	PS 20 2S 063 B5	63L	6
20.1	53	3.4	69.60	3195	PS 25 3S 063 B5	63S	4
20.2	53	1.7	69.20	2632	PS 20 3S 063 B5	63S	4
21.8	49	1.8	64.30	2595	PS 20 3S 063 B5	63S	4
24.1	44	2.0	58.10	2476	PS 20 3S 063 B5	63S	4
24.1	45	2.0	37.31	2460	PS 20 2S 063 B5	63L	6
28.0	38	2.3	31.71	2270	PS 20 2S 063 B5	63L	6
28.3	39	2.1	49.52	2400	PS 20 2S 063 B5	63S	4
31.3	35	2.3	44.77	2290	PS 20 2S 063 B5	63S	4
32.0	34	2.7	28.13	2190	PS 20 2S 063 B5	63L	6
35.0	31	2.9	25.43	2090	PS 20 2S 063 B5	63L	6
38.0	29	2.8	37.31	2100	PS 20 2S 063 B5	63S	4
42.0	26	3.5	21.19	1900	PS 20 2S 063 B5	63L	6
44.0	25	3.2	31.71	1940	PS 20 2S 063 B5	63S	4

PS SERIES / Inline Helical Gearbox
0.18 kW / 0.25 HP

n_2 o/p rpm	M_2 Nm	Sf_1	i Ratio	Rn_2 N	IEC Model	Motor Size	Pole
4.5	359	2.2	202.10	9500	PS 45 3S 071 B5	71S	6
5.0	321	2.5	180.70	9500	PS 45 3S 071 B5	71S	6
5.5	289	2.8	162.70	9500	PS 45 3S 071 B5	71S	6
6.1	261	3.1	147.20	9500	PS 45 3S 071 B5	71S	6
7.3	224	0.8	192.10	3200	PS 25 3S 063 B5	63L	4
7.3	218	0.9	122.50	3200	PS 25 3S 071 B5	71S	6
8.2	194	1.0	109.10	3200	PS 25 3S 071 B5	71S	6
8.8	182	1.0	108.10	3200	PS 25 3S 063 B5	63L	4
9.6	166	1.1	144.40	3200	PS 25 3S 063 B5	63L	4
10.0	159	1.3	89.70	3200	PS 25 3S 071 B5	71S	6
10.9	146	1.4	82.00	3195	PS 25 3S 071 B5	71S	6
11.3	141	1.3	81.40	3200	PS 25 3S 063 B5	63L	4
12.7	126	1.4	109.10	3200	PS 25 3S 063 B5	63L	4
12.9	124	1.6	69.60	2910	PS 25 3S 071 B5	71S	6
14.0	114	0.9	64.30	2800	PS 20 3S 071 B5	71S	6
15.0	109	1.8	60.10	2788	PS 25 3S 071 B5	71S	6
15.5	103	0.9	58.10	2800	PS 20 3S 071 B5	71S	6
15.5	103	1.7	89.70	3200	PS 25 3S 063 B5	63L	4
16.5	97	0.9	169.50	2800	PS 20 3S 063 B5	63S	2
17.1	94	1.9	82.00	3200	PS 25 3S 063 B5	63L	4
17.2	93	1.0	81.40	2800	PS 20 3S 063 B5	63L	4
18.2	90	1.0	49.52	2800	PS 20 2S 071 B5	71S	6
19.8	81	1.1	141.30	2680	PS 20 3S 063 B5	63S	2
20.0	80	2.2	69.60	3200	PS 25 3S 063 B5	63L	4
20.1	81	1.1	44.77	2680	PS 20 2S 071 B5	71S	6
20.2	79	1.1	69.20	2632	PS 20 3S 063 B5	63L	4
21.8	73	1.2	64.30	2595	PS 20 3S 063 B5	63L	4
23.3	69	1.3	120.10	2470	PS 20 3S 063 B5	63S	2
24.0	68	1.3	37.31	2460	PS 20 2S 071 B5	71S	6
24.1	66	1.4	58.10	2476	PS 20 3S 063 B5	63L	4
25.9	62	1.4	108.10	2410	PS 20 3S 063 B5	63S	2
28.0	58	1.6	31.71	2270	PS 20 2S 071 B5	71S	6
28.3	58	1.4	49.52	2400	PS 20 2S 063 B5	63L	4
28.7	56	1.6	97.70	2300	PS 20 3S 063 B5	63S	2
31.0	52	1.5	44.77	2290	PS 20 2S 063 B5	63L	4
32.0	51	1.8	28.13	2190	PS 20 2S 071 B5	71S	6
34.4	46	1.9	81.40	2100	PS 20 3S 063 B5	63S	2
35.0	46	1.9	25.43	2090	PS 20 2S 071 B5	71S	6
38.0	44	1.8	37.31	2100	PS 20 2S 063 B5	63L	4
40.5	40	2.3	69.20	1930	PS 20 3S 063 B5	63S	2
42.0	38	2.3	21.19	1900	PS 20 2S 071 B5	71S	6
43.5	37	2.4	64.30	1910	PS 20 3S 063 B5	63S	2
44.0	37	2.2	31.71	1940	PS 20 2S 063 B5	63L	4
48.2	33	2.7	58.10	1810	PS 20 3S 063 B5	63S	2

PS SERIES / Inline Helical Gearbox**0.18 kW / 0.25 HP**

n_2 o/p rpm	M_2 Nm	Sf_1	i Ratio	Rn_2 N	IEC Model	Motor Size	Pole
50.0	33	2.4	28.13	1880	PS 20 2S 063 B5	63L	4
50.0	33	2.8	18.01	1740	PS 20 2S 071 B5	71S	6
55.0	30	2.7	25.43	1780	PS 20 2S 063 B5	63L	4
56.5	29	2.8	49.52	1770	PS 20 2S 063 B5	63S	2
58.0	28	3.2	15.48	1670	PS 20 2S 071 B5	71S	6
63.0	26	3.1	44.77	1680	PS 20 2S 063 B5	63S	2
64.0	25	3.6	14.00	1580	PS 20 2S 071 B5	71S	6
66.0	25	3.2	21.19	1620	PS 20 2S 063 B5	63L	4
90.0	18	3.6	15.48	1540	PS 20 2S 063 B5	63L	4

PS SERIES / Inline Helical Gearbox**0.25 kW / 0.33 HP**

n_2 o/p rpm	M_2 Nm	Sf_1	i Ratio	Rn_2 N	IEC Model	Motor Size	Pole
4.5	499	1.6	202.10	9500	PS 45 3S 071 B5	71L	6
5.0	446	1.8	180.70	9500	PS 45 3S 071 B5	71L	6
5.5	401	2.0	162.70	9500	PS 45 3S 071 B5	71L	6
6.0	377	0.9	151.10	5500	PS 30 3S 071 B5	71L	6
6.0	377	1.4	151.10	7200	PS 35 3S 071 B5	71L	6
6.1	363	2.2	147.20	9500	PS 45 3S 071 B5	71L	6
6.7	332	1.1	134.70	5500	PS 30 3S 071 B5	71L	6
6.7	332	1.6	108.10	7200	PS 35 3S 071 B5	71L	6
6.9	321	2.2	202.10	9500	PS 45 3S 071 B5	71S	4
7.4	298	1.2	120.90	5500	PS 30 3S 071 B5	71L	6
7.4	298	1.8	120.90	7200	PS 35 3S 071 B5	71L	6
7.7	287	2.5	81.40	9500	PS 45 3S 071 B5	71S	4
8.5	260	3.1	105.50	9500	PS 45 3S 071 B5	71L	6
8.6	258	2.8	162.70	9500	PS 45 3S 071 B5	71S	4
9.1	245	1.4	99.30	5500	PS 30 3S 071 B5	71L	6
9.1	245	2.2	99.30	7200	PS 35 3S 071 B5	71L	6
9.1	244	1.3	151.10	5500	PS 30 3S 071 B5	71S	4
9.1	244	2.0	151.10	7200	PS 35 3S 071 B5	71S	4
9.5	233	3.1	147.20	9500	PS 45 3S 071 B5	71S	4
9.5	233	3.4	94.30	9500	PS 45 3S 071 B5	71L	6
10.0	221	0.9	89.70	3200	PS 25 3S 071 B5	71L	6
10.2	217	1.5	134.20	5500	PS 30 3S 071 B5	71S	4
10.2	217	2.2	134.20	7200	PS 35 3S 071 B5	71S	4
10.6	209	3.8	84.90	9500	PS 45 3S 071 B5	71L	6
10.9	203	1.7	82.20	5500	PS 30 3S 071 B5	71L	6
10.9	203	2.6	82.20	7200	PS 35 3S 071 B5	71L	6
11.0	202	1.0	82.00	3180	PS 25 3S 071 B5	71L	6
11.2	198	0.9	122.50	3140	PS 25 3S 071 B5	71S	4
11.4	195	1.6	120.90	5500	PS 30 3S 071 B5	71S	4
11.4	195	2.5	120.90	7200	PS 35 3S 071 B5	71S	4
12.3	181	1.9	73.30	5500	PS 30 3S 071 B5	71L	6
12.3	181	2.9	73.30	7200	PS 35 3S 071 B5	71L	6
12.6	176	1.0	109.10	3200	PS 25 3S 071 B5	71S	4
12.9	172	1.2	69.60	3120	PS 25 3S 071 B5	71L	6
13.7	162	2.2	65.80	5500	PS 30 3S 071 B5	71L	6
13.7	162	3.3	65.80	7200	PS 35 3S 071 B5	71L	6
13.8	160	2.0	99.30	5500	PS 30 3S 071 B5	71S	4
13.8	160	3.0	99.30	7200	PS 35 3S 071 B5	71S	4
15	148	1.3	60.10	3150	PS 25 3S 071 B5	71L	6
15.3	145	1.2	89.70	3120	PS 25 3S 071 B5	71S	4
16.7	133	2.4	82.20	5500	PS 30 3S 071 B5	71S	4
16.8	132	1.4	82.00	3070	PS 25 3S 071 B5	71S	4
18.8	118	2.7	73.30	5500	PS 30 3S 071 B5	71S	4
19.8	112	1.6	69.60	2980	PS 25 3S 071 B5	71S	4
20.9	106	3.0	65.80	5500	PS 30 3S 071 B5	71S	4

PS SERIES / Inline Helical Gearbox
0.25 kW / 0.33 HP

n_2 o/p rpm	M_2 Nm	Sf_1	i Ratio	Rn_2 N	IEC Model	Motor Size	Pole
22.9	97	1.9	60.10	2960	PS 25 3S 071 B5	71S	4
23.3	95	1.0	120.10	2470	PS 20 3S 063 B5	63L	2
24.1	92	1.0	58.10	2476	PS 20 3S 071 B5	71S	4
24.1	94	1.0	37.31	2460	PS 20 2S 071 B5	71L	6
25.9	86	1.0	108.10	2410	PS 20 3S 063 B5	63L	2
28.0	81	2.0	49.00	2830	PS 25 3S 071 B5	71S	4
28.0	80	1.1	31.71	2270	PS 20 2S 071 B5	71L	6
28.3	80	1.0	49.52	2400	PS 20 2S 071 B5	71S	4
28.7	77	1.2	97.70	2300	PS 20 3S 063 B5	63L	2
31.0	73	1.1	44.77	2290	PS 20 2S 071 B5	71S	4
32.0	71	1.3	28.13	2190	PS 20 2S 071 B5	71L	6
34.0	66	2.4	40.29	2710	PS 25 3S 071 B5	71S	4
34.0	65	1.4	81.40	2100	PS 20 3S 063 B5	63L	2
35.0	64	1.4	25.43	2090	PS 20 2S 071 B5	71L	6
37.0	61	2.6	36.86	2650	PS 25 3S 071 B5	71S	4
38.0	60	1.3	37.31	2100	PS 20 2S 071 B5	71S	4
41.0	55	1.6	69.20	1930	PS 20 3S 063 B5	63L	2
43.0	53	1.7	21.19	1900	PS 20 2S 071 B5	71L	6
44.0	52	3.1	31.27	2540	PS 25 3S 071 B5	71S	4
44.0	51	1.8	64.30	1910	PS 20 3S 063 B5	63L	2
44.0	51	1.6	31.71	1940	PS 20 2S 071 B5	71S	4
48.0	46	2.0	58.10	1810	PS 20 3S 063 B5	63L	2
50.0	46	1.8	28.13	1880	PS 20 2S 071 B5	71S	4
50.0	45	2.0	18.01	1740	PS 20 2S 071 B5	71L	6
55.0	41	1.9	25.43	1780	PS 20 2S 071 B5	71S	4
57.0	40	2.0	49.52	1770	PS 20 2S 063 B5	63L	2
58.0	39	2.3	15.48	1670	PS 20 2S 071 B5	71L	6
63.0	36	2.2	44.77	1680	PS 20 2S 063 B5	63L	2
64.0	35	2.6	14.00	1580	PS 20 2S 071 B5	71L	6
66.0	34	2.3	21.19	1620	PS 20 2S 071 B5	71S	4
75.0	30	2.6	37.31	1530	PS 20 2S 063 B5	63L	2
77.0	29	3.0	11.67	1420	PS 20 2S 071 B5	71L	6
78.0	29	2.7	18.01	1490	PS 20 2S 071 B5	71S	4
88.0	26	3.1	31.71	1390	PS 20 2S 063 B5	63L	2
90.0	25	2.6	15.48	1540	PS 20 2S 071 B5	71S	4
91.0	25	3.6	9.92	1290	PS 20 2S 071 B5	71L	6
100.0	23	3.5	28.13	1350	PS 20 2S 063 B5	63L	2
100.0	23	2.9	14.00	1470	PS 20 2S 071 B5	71S	4
120.0	19	3.4	11.67	1340	PS 20 2S 071 B5	71S	4

PS SERIES / Inline Helical Gearbox
0.37 kW / 0.5 HP

n_2 o/p rpm	M_2 Nm	Sf_1	i Ratio	Rn_2 N	IEC Model	Motor Size	Pole
4.5	738	1.1	202.10	9500	PS 45 3S 080 B5	80S	6
4.8	687	2.0	190.30	15000	PS 55 3S 080 B5	80S	6
5.0	660	1.2	180.70	9500	PS 45 3S 080 B5	80S	6
5.4	608	2.2	168.40	15000	PS 55 3S 080 B5	80S	6
5.5	594	1.3	162.70	9500	PS 45 3S 080 B5	80S	6
6.1	542	2.5	150.20	15000	PS 55 3S 080 B5	80S	6
6.0	546	1.0	151.10	7200	PS 35 3S 080 B5	80S	6
6.1	537	1.5	108.10	9500	PS 45 3S 080 B5	80S	6
6.8	487	2.8	134.80	15000	PS 55 3S 080 B5	80S	6
6.8	486	1.1	134.70	7200	PS 35 3S 080 B5	80S	6
6.9	474	1.5	202.10	9500	PS 45 3S 071 B5	71L	4
7.4	443	3.0	81.40	15000	PS 55 3S 080 B5	80S	6
7.5	437	1.2	120.90	7200	PS 35 3S 080 B5	80S	6
7.7	424	1.7	180.70	9500	PS 45 3S 071 B5	71L	4
8.4	392	3.4	108.60	15000	PS 55 3S 080 B5	80S	6
8.5	385	2.1	105.50	9500	PS 45 3S 080 B5	80S	6
8.6	382	1.9	162.70	9500	PS 45 3S 071 B5	71L	4
9.1	363	1.3	151.10	7200	PS 35 3S 071 B5	71L	4
9.2	359	1.0	99.30	5500	PS 30 3S 080 B5	80S	6
9.2	359	1.5	99.30	7200	PS 35 3S 080 B5	80S	6
9.5	346	2.1	147.20	9500	PS 45 3S 071 B5	71L	4
9.5	344	2.3	94.30	9500	PS 45 3S 080 B5	80S	6
10.2	323	1.0	134.70	5500	PS 30 3S 071 B5	71L	4
10.2	323	1.5	134.70	7200	PS 35 3S 071 B5	71L	4
10.6	310	2.6	84.90	9500	PS 45 3S 080 B5	80S	6
11.1	297	1.2	82.20	5500	PS 30 3S 080 B5	80S	6
11.1	297	1.8	82.20	7200	PS 35 3S 080 B5	80S	6
11.3	290	1.1	120.90	5500	PS 30 3S 071 B5	71L	4
11.3	290	1.7	120.90	7200	PS 35 3S 071 B5	71L	4
11.7	280	2.9	76.80	9500	PS 45 3S 080 B5	80S	6
12.4	265	1.3	73.30	5500	PS 30 3S 080 B5	80S	6
12.4	265	2.0	73.30	7200	PS 35 3S 080 B5	80S	6
13.3	248	2.9	105.50	9500	PS 45 3S 071 B5	71L	4
13.8	238	1.3	99.30	5500	PS 30 3S 071 B5	71L	4
13.8	238	2.0	99.30	7200	PS 35 3S 071 B5	71L	4
13.8	238	1.5	65.80	5500	PS 30 3S 080 B5	80S	6
13.8	238	2.2	65.80	7200	PS 35 3S 080 B5	80S	6
13.9	237	3.0	202.10	9500	PS 45 3S 080 B5	71S	2
14.8	221	3.3	94.30	9500	PS 45 3S 071 B5	71L	4
15.5	212	3.4	180.70	9500	PS 45 3S 071 B5	71S	2
16.7	197	1.6	82.20	5500	PS 30 3S 071 B5	71L	4
16.7	197	2.4	82.20	7200	PS 35 3S 071 B5	71L	4
16.7	197	0.9	82.00	2610	PS 25 3S 071 B5	71L	4
18.7	176	1.8	73.30	5480	PS 30 3S 071 B5	71L	4
18.7	176	2.7	73.30	7200	PS 35 3S 071 B5	71L	4

PS SERIES / Inline Helical Gearbox
0.37 kW / 0.5 HP

n_2 o/p rpm	M_2 Nm	Sf_1	i Ratio	Rn_2 N	IEC Model	Motor Size	Pole
19.7	167	1.1	69.60	2580	PS 25 3S 071 B5	71L	4
20.8	158	2.0	65.80	5340	PS 30 3S 071 B5	71L	4
20.8	158	3.0	65.80	7200	PS 35 3S 071 B5	71L	4
22.8	144	1.2	60.10	2630	PS 25 3S 071 B5	71L	4
25.4	130	2.5	54.00	5090	PS 30 3S 071 B5	71L	4
27.9	120	1.3	49.04	2560	PS 25 2S 071 B5	71L	4
29.6	111	2.9	46.20	4950	PS 30 3S 071 B5	71L	4
33.0	99	3.2	41.20	4800	PS 30 3S 071 B5	71L	4
34.0	99	1.6	40.29	2480	PS 25 2S 071 B5	71L	4
37.0	90	1.8	36.86	2440	PS 25 2S 071 B5	71L	4
40.0	81	1.1	69.20	1930	PS 20 3S 071 B5	71S	2
42.0	79	1.1	21.19	1900	PS 20 2S 080 B5	80S	6
44.0	77	2.1	31.27	2360	PS 25 2S 071 B5	71L	4
44.0	75	1.2	64.30	1910	PS 20 3S 071 B5	71S	2
44.0	76	1.1	31.71	1940	PS 20 2S 071 B5	71L	4
48.0	68	1.3	58.10	1810	PS 20 3S 071 B5	71S	2
50.0	67	1.2	28.13	1880	PS 20 2S 071 B5	71L	4
50.0	67	1.4	18.01	1740	PS 20 2S 080 B5	80S	6
53.0	63	2.5	25.75	2310	PS 25 2S 071 B5	71L	4
55.0	61	1.3	25.43	1780	PS 20 2S 071 B5	71L	4
57.0	59	1.4	49.52	1770	PS 20 2S 071 B5	71S	2
58.0	58	1.6	15.48	1670	PS 20 2S 080 B5	80S	6
63.0	54	1.5	44.77	1680	PS 20 2S 071 B5	71S	2
64.0	52	1.7	14.00	1580	PS 20 2S 080 B5	80S	6
65.0	52	3.1	21.16	2200	PS 25 2S 071 B5	71L	4
66.0	51	1.6	21.19	1620	PS 20 2S 071 B5	71L	4
71.0	47	3.4	19.35	2150	PS 25 2S 071 B5	71L	4
75.0	45	1.8	37.31	1530	PS 20 2S 071 B5	71S	2
77.0	44	2.1	11.67	1420	PS 20 2S 080 B5	80S	6
78.0	43	1.9	18.01	1490	PS 20 2S 071 B5	71L	4
88.0	38	2.1	31.71	1390	PS 20 2S 071 B5	71S	2
90.0	37	1.8	15.48	1540	PS 20 2S 071 B5	71L	4
91.0	37	2.4	9.92	1290	PS 20 2S 080 B5	80S	6
100.0	34	2.4	28.13	1350	PS 20 2S 071 B5	71S	2
100.0	34	1.9	14.00	1470	PS 20 2S 071 B5	71L	4
105.0	32	2.7	8.57	1240	PS 20 2S 080 B5	80S	6
110.0	30	2.6	25.43	1280	PS 20 2S 071 B5	71S	2
116.0	29	3.2	7.75	1160	PS 20 2S 080 B5	80S	6
120.0	28	2.3	11.67	1340	PS 20 2S 071 B5	71L	4
132.0	25	3.2	21.19	1150	PS 20 2S 071 B5	71S	2
141.0	24	2.7	9.92	1220	PS 20 2S 071 B5	71L	4
163.0	21	2.9	8.57	1210	PS 20 2S 071 B5	71L	4
181.0	19	3.0	15.48	1200	PS 20 2S 071 B5	71S	2
181.0	19	3.2	7.75	1150	PS 20 2S 071 B5	71L	4
200.0	17	3.2	14.00	1140	PS 20 2S 071 B5	71S	2

PS SERIES / Inline Helical Gearbox**0.55 kW / 0.75 HP**

n_2 o/p rpm	M_2 Nm	Sf_1	i Ratio	Rn_2 N	IEC Model	Motor Size	Pole
4.7	1033	1.3	190.30	15000	PS 55 3S 080 B5	80L	6
5.3	914	1.5	168.40	15000	PS 55 3S 080 B5	80L	6
5.5	883	0.9	162.70	9500	PS 45 3S 080 B5	80L	6
6.0	815	1.7	150.20	15000	PS 55 3S 080 B5	80L	6
6.1	799	1.0	147.20	9500	PS 45 3S 080 B5	80L	6
6.7	732	1.8	134.80	15000	PS 55 3S 080 B5	80L	6
6.9	705	1.0	202.10	9500	PS 45 3S 080 B5	80S	4
7.3	666	2.0	108.10	15000	PS 55 3S 080 B5	80L	6
7.4	664	1.8	190.30	15000	PS 55 3S 080 B5	80S	4
7.7	630	1.1	180.70	9500	PS 45 3S 080 B5	80S	4
8.3	589	2.3	108.60	15000	PS 55 3S 080 B5	80L	6
8.3	588	2.0	81.40	15000	PS 55 3S 080 B5	80S	4
8.5	573	1.4	105.50	9500	PS 45 3S 080 B5	80L	6
8.6	568	1.3	162.70	9500	PS 45 3S 080 B5	80S	4
9.3	526	2.6	96.90	15000	PS 55 3S 080 B5	80L	6
9.3	527	1.0	99.30	7200	PS 35 3S 080 B5	80L	6
9.3	524	2.3	150.20	15000	PS 55 3S 080 B5	80S	4
9.5	514	1.4	147.20	9500	PS 45 3S 080 B5	80S	4
9.5	512	1.6	94.30	9500	PS 45 3S 080 B5	80L	6
10.2	477	1.0	134.70	7200	PS 35 3S 080 B5	80S	4
10.3	472	2.9	87.00	15000	PS 55 3S 080 B5	80L	6
10.4	470	2.6	134.80	15000	PS 55 3S 080 B5	80S	4
10.6	461	1.7	84.90	9500	PS 45 3S 080 B5	80L	6
11.2	437	1.2	82.20	7200	PS 35 3S 080 B5	80L	6
11.4	428	1.1	120.90	7200	PS 35 3S 080 B5	80S	4
11.4	428	2.8	122.70	15000	PS 55 3S 080 B5	80S	4
11.6	421	3.2	77.50	15000	PS 55 3S 080 B5	80L	6
11.7	417	1.9	76.80	9500	PS 45 3S 080 B5	80L	6
12.6	389	1.4	73.30	7200	PS 35 3S 080 B5	80L	6
12.9	379	3.2	108.60	15000	PS 55 3S 080 B5	80S	4
13.3	368	2.0	105.50	9500	PS 45 3S 080 B5	80S	4
13.9	352	0.9	99.30	5000	PS 30 3S 080 B5	80S	4
13.9	352	1.4	99.30	7200	PS 35 3S 080 B5	80S	4
13.9	353	2.0	202.10	9500	PS 45 3S 071 B5	71L	2
14.0	349	1.0	65.80	5080	PS 30 3S 080 B5	80L	6
14.0	349	1.5	65.80	7200	PS 35 3S 080 B5	80L	6
14.4	340	2.4	62.70	9500	PS 45 3S 080 B5	80L	6
14.4	338	3.5	96.90	15000	PS 55 3S 080 B5	80S	4
14.8	329	2.2	94.30	9500	PS 45 3S 080 B5	80S	4
15.5	315	2.3	180.70	9500	PS 45 3S 071 B5	71L	2
16.0	304	2.6	56.10	9500	PS 45 3S 080 B5	80L	6
16.5	296	2.4	84.90	9500	PS 45 3S 080 B5	80S	4
16.8	291	1.1	82.20	5060	PS 30 3S 080 B5	80S	4
16.8	291	1.6	82.20	7200	PS 35 3S 080 B5	80S	4
17.2	284	2.5	162.70	9500	PS 45 3S 071 B5	71L	2

PS SERIES / Inline Helical Gearbox**0.55 kW / 0.75 HP**

n_2 o/p rpm	M_2 Nm	Sf_1	i Ratio	Rn_2 N	IEC Model	Motor Size	Pole
131.0	38	3.4	10.53	1760	PS 25 2S 080 B5	80S	4
132.0	38	2.2	21.19	1150	PS 20 2S 071 B5	71L	2
139.0	36	2.5	6.46	1030	PS 20 2S 080 B5	80L	6
141.0	35	1.8	9.92	1220	PS 20 2S 080 B5	80S	4
155.0	32	2.5	18.01	1040	PS 20 2S 071 B5	71L	2
163.0	31	2.0	8.57	1210	PS 20 2S 080 B5	80S	4
164.0	30	2.9	5.49	920	PS 20 2S 080 B5	80L	6
181.0	28	2.0	15.48	1200	PS 20 2S 071 B5	71L	2
181.0	28	2.2	7.75	1150	PS 20 2S 080 B5	80S	4
200.0	25	2.2	14.00	1140	PS 20 2S 071 B5	71L	2
217.0	23	2.6	6.46	1040	PS 20 2S 080 B5	80S	4
240.0	21	2.7	11.67	1030	PS 20 2S 071 B5	71L	2
255.0	20	3.1	5.49	950	PS 20 2S 080 B5	80S	4
282.0	18	3.1	9.92	940	PS 20 2S 071 B5	71L	2
327.0	15	3.3	8.57	940	PS 20 2S 071 B5	71L	2

PS SERIES / Inline Helical Gearbox
0.75 kW / 1 HP

n_2 o/p rpm	M_2 Nm	Sf_1	i Ratio	Rn_2 N	IEC Model	Motor Size	Pole
4.7	1408	1.0	190.30	15000	PS 55 3S 090 B5	90S	6
5.3	1246	1.1	168.40	15000	PS 55 3S 090 B5	90S	6
6.0	1112	1.2	150.20	15000	PS 55 3S 090 B5	90S	6
6.7	998	1.4	134.80	15000	PS 55 3S 090 B5	90S	6
7.3	908	1.5	122.70	15000	PS 55 3S 090 B5	90S	6
7.4	905	1.3	190.30	15000	PS 55 3S 080 B5	80L	4
8.3	804	1.7	108.60	15000	PS 55 3S 090 B5	90S	6
8.3	801	1.5	108.10	15000	PS 55 3S 080 B5	80L	4
8.5	781	1.0	105.50	9500	PS 45 3S 090 B5	90S	6
8.6	774	0.9	162.70	9500	PS 45 3S 080 B5	80L	4
9.3	717	1.9	96.90	15000	PS 55 3S 090 B5	90S	6
9.3	715	1.7	81.40	15000	PS 55 3S 080 B5	80L	4
9.5	700	1.0	147.20	9500	PS 45 3S 080 B5	80L	4
9.5	698	1.1	94.30	9500	PS 45 3S 090 B5	90S	6
10.3	644	2.1	87.00	15000	PS 55 3S 090 B5	90S	6
10.4	641	1.9	134.80	15000	PS 55 3S 080 B5	80L	4
10.6	628	1.3	84.90	9500	PS 45 3S 090 B5	90S	6
11.4	584	2.1	122.70	15000	PS 55 3S 080 B5	80L	4
11.6	574	2.4	77.50	15000	PS 55 3S 090 B5	90S	6
11.7	568	1.4	76.80	9500	PS 45 3S 090 B5	90S	6
12.6	530	1.0	73.30	7200	PS 35 3S 090 B5	90S	6
12.9	517	2.3	108.60	15000	PS 55 3S 080 B5	80L	4
13.1	508	2.7	68.60	15000	PS 55 3S 090 B5	90S	6
13.3	502	1.4	105.50	9500	PS 45 3S 080 B5	80L	4
13.9	481	1.5	202.10	9500	PS 45 3S 080 B5	80S	2
14.0	476	1.1	65.80	7200	PS 35 3S 090 B5	90S	6
14.1	473	1.0	99.30	7200	PS 35 3S 080 B5	80L	4
14.4	464	1.7	62.70	9500	PS 45 3S 090 B5	90S	6
14.4	461	2.6	96.90	15000	PS 55 3S 080 B5	80L	4
14.7	453	3.0	61.20	15000	PS 55 3S 090 B5	90S	6
14.7	453	2.7	190.30	15000	PS 55 3S 080 B5	80S	2
14.8	449	1.6	94.30	9500	PS 45 3S 080 B5	80L	4
15.5	430	1.7	180.70	9500	PS 45 3S 080 B5	80S	2
16.0	415	1.9	56.10	9500	PS 45 3S 090 B5	90S	6
16.1	414	2.9	87.00	15000	PS 55 3S 080 B5	80L	4
16.4	406	3.3	54.90	15000	PS 55 3S 090 B5	90S	6
16.5	404	1.8	84.90	9500	PS 45 3S 080 B5	80L	4
16.6	401	3.0	168.40	15000	PS 55 3S 080 B5	80S	2
17.0	391	1.2	82.20	7200	PS 35 3S 080 B5	80L	4
17.2	387	1.9	162.70	9500	PS 45 3S 080 B5	80S	2
17.8	374	2.1	50.50	9500	PS 45 3S 090 B5	90S	6
18.1	369	3.3	77.50	15000	PS 55 3S 080 B5	80L	4
18.2	365	2.0	76.80	9500	PS 45 3S 080 B5	80L	4
18.6	357	3.4	150.20	15000	PS 55 3S 080 B5	80S	2
19.0	350	2.1	147.20	9500	PS 45 3S 080 B5	80S	2

PS SERIES / Inline Helical Gearbox**0.75 kW / 1 HP**

n_2 o/p rpm	M_2 Nm	Sf_1	i Ratio	Rn_2 N	IEC Model	Motor Size	Pole
19.1	349	0.9	73.30	4400	PS 30 3S 080 B5	80L	4
19.1	349	1.4	73.30	7200	PS 35 3S 080 B5	80L	4
19.7	338	2.4	45.70	9500	PS 45 3S 090 B5	90S	6
21.1	316	2.5	42.70	9500	PS 45 3S 090 B5	90S	6
21.3	313	1.0	65.80	4360	PS 30 3S 080 B5	80L	4
21.3	313	1.5	65.80	7200	PS 35 3S 080 B5	80L	4
22.3	298	2.4	62.70	9500	PS 45 3S 080 B5	80L	4
23.6	283	2.8	38.20	9500	PS 45 3S 090 B5	90S	6
25.0	267	2.7	56.10	9500	PS 45 3S 080 B5	80L	4
25.9	257	1.2	54.00	4240	PS 30 3S 080 B5	80L	4
25.9	257	1.9	54.00	7200	PS 35 3S 080 B5	80L	4
26.2	255	3.1	34.40	9500	PS 45 3S 090 B5	90S	6
26.5	251	2.9	105.50	9500	PS 45 3S 080 B5	80S	2
27.7	240	3.0	50.50	9500	PS 45 3S 080 B5	80L	4
30.0	220	1.5	46.20	4270	PS 30 3S 080 B5	80L	4
30.0	220	2.2	46.20	7200	PS 35 3S 080 B5	80L	4
34.0	196	1.6	41.20	4180	PS 30 3S 080 B5	80L	4
34.0	196	2.4	41.20	7200	PS 35 3S 080 B5	80L	4
38.0	179	1.8	36.82	4100	PS 30 2S 080 B5	80L	4
38.0	179	2.7	36.82	7200	PS 35 2S 080 B5	80L	4
43.0	159	2.0	32.80	4010	PS 30 2S 080 B5	80L	4
43.0	159	3.0	32.80	7200	PS 35 2S 080 B5	80L	4
45.0	152	1.1	31.27	1780	PS 25 2S 080 B5	80L	4
48.0	143	2.2	29.45	3920	PS 30 2S 080 B5	80L	4
48.0	143	3.4	29.45	7200	PS 35 2S 080 B5	80L	4
54.0	125	1.3	25.75	1850	PS 25 2S 080 B5	80L	4
58.0	118	2.7	24.19	3740	PS 30 2S 080 B5	80L	4
66.0	103	1.6	21.16	1820	PS 25 2S 080 B5	80L	4
72.0	94	1.7	19.35	1800	PS 25 2S 080 B5	80L	4
73.0	93	2.8	19.21	3600	PS 30 2S 080 B5	80L	4
77.0	88	1.0	11.67	1420	PS 20 2S 090 B5	90S	6
82.0	83	3.1	17.11	3500	PS 30 2S 080 B5	80L	4
85.0	80	2.0	16.42	1750	PS 25 2S 080 B5	80L	4
88.0	77	1.0	31.71	1390	PS 20 2S 080 B5	80S	2
91.0	75	3.5	15.37	3400	PS 30 2S 080 B5	80L	4
91.0	75	1.2	9.92	1290	PS 20 2S 090 B5	90S	6
100.0	68	1.9	14.01	1750	PS 25 2S 080 B5	80L	4
100.0	68	1.2	28.13	1350	PS 20 2S 080 B5	80S	2
100.0	68	1.0	14.00	1470	PS 20 2S 080 B5	80L	4
105.0	65	1.3	8.57	1240	PS 20 2S 090 B5	90S	6
110.0	62	1.3	25.43	1280	PS 20 2S 080 B5	80S	2
116.0	59	1.6	7.75	1160	PS 20 2S 090 B5	90S	6
120.0	57	1.1	11.67	1340	PS 20 2S 080 B5	80L	4
122.0	56	2.3	11.51	1680	PS 25 2S 080 B5	80L	4
132.0	51	1.6	21.19	1150	PS 20 2S 080 B5	80S	2

PS SERIES / Inline Helical Gearbox**0.75 kW / 1 HP**

n_2 o/p rpm	M_2 Nm	Sf_1	i Ratio	Rn_2 N	IEC Model	Motor Size	Pole
133.0	51	2.5	10.53	1650	PS 25 2S 080 B5	80L	4
139.0	49	1.9	6.46	1030	PS 20 2S 090 B5	90S	6
141.0	48	1.3	9.92	1220	PS 20 2S 080 B5	80L	4
155.0	44	1.9	18.01	1040	PS 20 2S 080 B5	80S	2
157.0	43	3.0	8.93	1590	PS 25 2S 080 B5	80L	4
163.0	42	1.4	8.57	1210	PS 20 2S 080 B5	80L	4
164.0	42	2.1	5.49	920	PS 20 2S 090 B5	90S	6
178.0	38	3.1	7.88	1570	PS 25 2S 080 B5	80L	4
181.0	38	1.5	15.48	1200	PS 20 2S 080 B5	80S	2
181.0	38	1.6	7.75	1150	PS 20 2S 080 B5	80L	4
200.0	34	3.2	14.01	1530	PS 25 2S 080 B5	80S	2
200.0	34	1.6	14.00	1140	PS 20 2S 080 B5	80S	2
217.0	31	1.9	6.46	1040	PS 20 2S 080 B5	80L	4
240.0	28	2.0	11.67	1030	PS 20 2S 080 B5	80S	2
255.0	27	2.2	5.49	950	PS 20 2S 080 B5	80L	4
282.0	24	2.3	9.92	940	PS 20 2S 080 B5	80S	2
327.0	21	2.4	8.57	940	PS 20 2S 080 B5	80S	2
361.0	19	2.7	7.75	890	PS 20 2S 080 B5	80S	2
433.0	16	3.2	6.46	800	PS 20 2S 080 B5	80S	2

PS SERIES / Inline Helical Gearbox
1.1 kW / 1.5 HP

n_2 o/p rpm	M_2 Nm	Sf_1	i Ratio	Rn_2 N	IEC Model	Motor Size	Pole
6.7	1463	0.9	134.80	15000	PS 55 3S 090 B5	90L	6
7.3	1332	1.0	122.70	15000	PS 55 3S 090 B5	90L	6
7.4	1328	0.9	190.30	15000	PS 55 3S 090 B5	90S	4
8.3	1179	1.1	108.60	15000	PS 55 3S 090 B5	90L	6
8.3	1175	1.0	168.40	15000	PS 55 3S 090 B5	90S	4
9.3	1052	1.3	96.90	15000	PS 55 3S 090 B5	90L	6
9.3	1048	1.1	150.20	15000	PS 55 3S 090 B5	90S	4
10.3	944	1.4	108.10	15000	PS 55 3S 090 B5	90L	6
10.4	941	1.3	134.80	15000	PS 55 3S 090 B5	90S	4
11.4	856	1.4	122.70	15000	PS 55 3S 090 B5	90S	4
11.6	841	1.6	77.50	15000	PS 55 3S 090 B5	90L	6
11.7	834	1.0	81.40	9500	PS 45 3S 090 B5	90L	6
12.9	758	1.6	108.60	15000	PS 55 3S 090 B5	90S	4
13.1	745	1.8	68.60	15000	PS 55 3S 090 B5	90L	6
13.3	736	1.0	105.50	9500	PS 45 3S 090 B5	90S	4
13.9	705	1.0	202.10	9500	PS 45 3S 080 B5	80L	2
14.4	681	1.2	62.70	9500	PS 45 3S 090 B5	90L	6
14.4	676	1.8	96.90	15000	PS 55 3S 090 B5	90S	4
14.7	664	2.0	61.20	15000	PS 55 3S 090 B5	90L	6
14.7	664	1.8	190.30	15000	PS 55 3S 080 B5	80L	2
14.8	658	1.1	94.30	9500	PS 45 3S 090 B5	90S	4
15.5	630	1.1	180.70	9500	PS 45 3S 080 B5	80L	2
16.0	609	1.3	56.10	9500	PS 45 3S 090 B5	90L	6
16.1	607	2.0	87.00	15000	PS 55 3S 090 B5	90S	4
16.4	596	2.3	54.90	15000	PS 55 3S 090 B5	90L	6
16.5	592	1.2	84.90	9500	PS 45 3S 090 B5	90S	4
16.6	588	2.0	168.40	15000	PS 55 3S 080 B5	80L	2
17.2	568	1.3	162.70	9500	PS 45 3S 080 B5	80L	2
17.8	548	1.5	50.50	9500	PS 45 3S 090 B5	90L	6
18.1	541	2.2	77.50	15000	PS 55 3S 090 B5	90S	4
18.2	536	1.3	76.80	9500	PS 45 3S 090 B5	90S	4
18.6	524	2.3	150.20	15000	PS 55 3S 080 B5	80L	2
19.0	514	1.4	147.20	9500	PS 45 3S 080 B5	80L	2
19.1	511	0.9	73.30	7200	PS 35 3S 090 B5	90S	4
19.7	496	1.6	45.70	9500	PS 45 3S 090 B5	90L	6
20.4	479	2.5	68.60	15000	PS 55 3S 090 B5	90S	4
20.8	470	2.6	134.80	15000	PS 55 3S 080 B5	80L	2
21.1	464	1.7	42.70	9500	PS 45 3S 090 B5	90L	6
21.3	459	1.0	65.80	7200	PS 35 3S 090 B5	90S	4
21.4	457	3.0	42.10	15000	PS 55 3S 090 B5	90L	6
22.3	438	1.6	62.70	9500	PS 45 3S 090 B5	90S	4
22.8	428	2.8	122.70	15000	PS 55 3S 080 B5	80L	2
22.9	427	2.8	61.20	15000	PS 55 3S 090 B5	90S	4
23.6	415	1.9	38.20	9500	PS 45 3S 090 B5	90L	6
24.2	404	3.3	37.20	15000	PS 55 3S 090 B5	90L	6

PS SERIES / Inline Helical Gearbox
1.1 kW / 1.5 HP

n_2 o/p rpm	M_2 Nm	Sf_1	i Ratio	Rn_2 N	IEC Model	Motor Size	Pole
25.0	391	1.8	56.10	9500	PS 45 3S 090 B5	90S	4
25.5	383	3.1	54.90	15000	PS 55 3S 090 B5	90S	4
25.8	379	3.2	108.60	15000	PS 55 3S 080 B5	80L	2
25.9	377	1.3	54.00	7200	PS 35 3S 090 B5	90S	4
26.2	373	2.1	34.40	9500	PS 45 3S 090 B5	90L	6
26.5	368	2.0	105.50	9500	PS 45 3S 080 B5	80L	2
27.7	352	2.0	50.50	9500	PS 45 3S 090 B5	90S	4
28.9	338	3.5	96.90	15000	PS 55 3S 080 B5	80L	2
28.9	338	2.4	31.10	9500	PS 45 3S 090 B5	90L	6
29.7	329	2.2	94.30	9500	PS 45 3S 080 B5	80L	2
30.0	323	1.0	46.20	3670	PS 30 3S 090 B5	90S	4
30.0	323	1.5	46.20	7200	PS 35 3S 090 B5	90S	4
31.0	319	2.3	45.70	9500	PS 45 3S 090 B5	90S	4
33.0	298	2.4	42.70	9500	PS 45 3S 090 B5	90S	4
33.0	296	2.4	84.90	9500	PS 45 3S 080 B5	80L	2
33.0	304	2.4	27.45	9500	PS 45 2S 090 B5	90L	6
34.0	287	1.1	41.20	3640	PS 30 3S 090 B5	90S	4
34.0	287	1.7	41.20	7200	PS 35 3S 090 B5	90S	4
36.0	268	2.7	76.80	9500	PS 45 3S 080 B5	80L	2
37.0	267	2.7	38.20	9500	PS 45 3S 090 B5	90S	4
37.0	272	2.6	24.55	9500	PS 45 2S 090 B5	90L	6
38.0	262	1.2	36.82	3610	PS 30 2S 090 B5	90S	4
38.0	262	1.8	36.82	7200	PS 35 2S 090 B5	90S	4
41.0	240	3.0	34.40	9500	PS 45 3S 090 B5	90S	4
41.0	245	2.9	22.09	9100	PS 45 2S 090 B5	90L	6
43.0	234	1.4	32.80	3560	PS 30 2S 090 B5	90S	4
43.0	234	2.1	32.80	7200	PS 35 2S 090 B5	90S	4
45.0	217	3.3	31.10	9400	PS 45 3S 090 B5	90S	4
45.0	219	3.3	62.70	9500	PS 45 3S 080 B5	80L	2
45.0	222	3.2	19.99	8700	PS 45 2S 090 B5	90L	6
48.0	210	1.5	29.45	3510	PS 30 2S 090 B5	90S	4
48.0	210	2.3	29.45	7200	PS 35 2S 090 B5	90S	4
51.0	196	3.3	17.70	8400	PS 45 2S 090 B5	90L	6
58.0	172	1.9	24.19	3400	PS 30 2S 090 B5	90S	4
58.0	172	2.8	24.19	7200	PS 35 2S 090 B5	90S	4
66.0	151	1.1	21.16	1470	PS 25 2S 090 B5	90S	4
72.0	138	1.2	19.35	1480	PS 25 2S 090 B5	90S	4
73.0	137	1.9	19.21	3350	PS 30 2S 090 B5	90S	4
73.0	137	2.9	19.21	7200	PS 35 2S 090 B5	90S	4
82.0	122	2.1	17.11	3260	PS 30 2S 090 B5	90S	4
82.0	122	3.3	17.11	7200	PS 35 2S 090 B5	90S	4
85.0	117	1.4	16.42	1470	PS 25 2S 090 B5	90S	4
91.0	110	2.4	15.37	3190	PS 30 2S 090 B5	90S	4
100.0	100	1.3	14.01	1530	PS 25 2S 090 B5	90S	4
111.0	90	2.9	12.62	3040	PS 30 2S 090 B5	90S	4

PS SERIES / Inline Helical Gearbox
1.1 kW / 1.5 HP

n_2 o/p rpm	M_2 Nm	Sf_1	i Ratio	Rn_2 N	IEC Model	Motor Size	Pole
66.0	151	1.1	21.16	1470	PS 25 2S 090 B5	90S	4
72.0	138	1.2	19.35	1480	PS 25 2S 090 B5	90S	4
73.0	137	1.9	19.21	3350	PS 30 2S 090 B5	90S	4
73.0	137	2.9	19.21	7200	PS 35 2S 090 B5	90S	4
82.0	122	2.1	17.11	3260	PS 30 2S 090 B5	90S	4
82.0	122	3.3	17.11	7200	PS 35 2S 090 B5	90S	4
85.0	117	1.4	16.42	1470	PS 25 2S 090 B5	90S	4
91.0	110	2.4	15.37	3190	PS 30 2S 090 B5	90S	4
100.0	100	1.3	14.01	1530	PS 25 2S 090 B5	90S	4
111.0	90	2.9	12.62	3040	PS 30 2S 090 B5	90S	4
122.0	82	1.6	11.51	1500	PS 25 2S 090 B5	90S	4
123.0	81	3.2	11.43	3010	PS 30 2S 090 B5	90S	4
132.0	76	1.1	21.19	1150	PS 20 2S 080 B5	80L	2
133.0	75	1.7	10.53	1480	PS 25 2S 090 B5	90S	4
155.0	64	1.3	18.01	1040	PS 20 2S 080 B5	80L	2
157.0	64	2.0	8.93	1440	PS 25 2S 090 B5	90S	4
163.0	61	1.0	8.57	1210	PS 20 2S 090 B5	90S	4
171.0	59	2.7	16.42	1430	PS 25 2S 080 B5	80L	2
178.0	56	2.1	7.88	1440	PS 25 2S 090 B5	90S	4
181.0	55	1.0	15.48	1200	PS 20 2S 080 B5	80L	2
181.0	55	1.1	7.75	1150	PS 20 2S 090 B5	90S	4
200.0	50	2.2	14.01	1420	PS 25 2S 080 B5	80L	2
200.0	50	1.1	14.00	1140	PS 20 2S 080 B5	80L	2
216.0	46	2.6	6.47	1390	PS 25 2S 090 B5	90S	4
217.0	46	1.3	6.46	1040	PS 20 2S 090 B5	90S	4
236.0	42	2.8	5.92	1360	PS 25 2S 090 B5	90S	4
240.0	42	1.4	11.67	1030	PS 20 2S 080 B5	80L	2
243.0	41	2.7	11.51	1360	PS 25 2S 080 B5	80L	2
255.0	39	1.5	5.49	950	PS 20 2S 090 B5	90S	4
266.0	38	2.9	10.53	1330	PS 25 2S 080 B5	80L	2
279.0	36	3.4	5.02	1320	PS 25 2S 090 B5	90S	4
282.0	35	1.5	9.92	940	PS 20 2S 080 B5	80L	2
313.0	32	3.5	8.93	1280	PS 25 2S 080 B5	80L	2
327.0	31	1.6	8.57	940	PS 20 2S 080 B5	80L	2
361.0	28	1.8	7.75	890	PS 20 2S 080 B5	80L	2
433.0	23	2.2	6.46	800	PS 20 2S 080 B5	80L	2
510.0	20	2.5	5.49	730	PS 20 2S 080 B5	80L	2

PS SERIES / Inline Helical Gearbox

1.5 kW / 2 HP

n_2 o/p rpm	M_2 Nm	Sf_1	i Ratio	Rn_2 N	IEC Model	Motor Size	Pole
9.3	1434	0.9	96.90	15000	PS 55 3S 100 B5	100L	6
10.3	1288	1.0	87.00	15000	PS 55 3S 100 B5	100L	6
10.4	1283	0.9	134.80	15000	PS 55 3S 090 B5	90L	4
11.4	1168	1.0	122.70	15000	PS 55 3S 090 B5	90L	4
11.6	1147	1.2	77.50	15000	PS 55 3S 100 B5	100L	6
12.9	1033	1.2	108.60	15000	PS 55 3S 090 B5	90L	4
13.1	1015	1.3	68.60	15000	PS 55 3S 100 B5	100L	6
14.4	922	1.3	108.10	15000	PS 55 3S 090 B5	90L	4
14.7	906	1.5	61.20	15000	PS 55 3S 100 B5	100L	6
14.7	905	1.3	190.30	15000	PS 55 3S 090 B5	90S	2
16.0	830	1.0	56.10	9500	PS 45 3S 100 B5	100L	6
16.1	828	1.4	81.40	15000	PS 55 3S 090 B5	90L	4
16.4	813	1.7	54.90	15000	PS 55 3S 100 B5	100L	6
16.6	801	1.5	168.40	15000	PS 55 3S 090 B5	90S	2
17.8	748	1.1	50.50	9500	PS 45 3S 100 B5	100L	6
18.1	737	1.6	77.50	15000	PS 55 3S 090 B5	90L	4
18.2	731	1.0	76.80	9500	PS 45 3S 090 B5	90L	4
18.6	715	1.7	150.20	15000	PS 55 3S 090 B5	90S	2
19.0	700	1.0	147.20	9500	PS 45 3S 090 B5	90S	2
19.7	676	1.2	45.70	9500	PS 45 3S 100 B5	100L	6
20.4	653	1.8	68.60	15000	PS 55 3S 090 B5	90L	4
20.8	641	1.9	134.80	15000	PS 55 3S 090 B5	90S	2
21.1	632	1.3	42.70	9500	PS 45 3S 100 B5	100L	6
21.4	623	2.2	42.10	15000	PS 55 3S 100 B5	100L	6
22.3	597	1.2	62.70	9500	PS 45 3S 090 B5	90L	4
22.8	584	2.1	122.70	15000	PS 55 3S 090 B5	90S	2
22.9	582	2.1	61.20	15000	PS 55 3S 090 B5	90L	4
23.6	565	1.4	38.20	9500	PS 45 3S 100 B5	100L	6
24.2	551	2.5	37.20	15000	PS 55 3S 100 B5	100L	6
25.0	534	1.3	56.10	9500	PS 45 3S 090 B5	90L	4
25.5	522	2.3	54.90	15000	PS 55 3S 090 B5	90L	4
25.8	517	2.3	108.60	15000	PS 55 3S 090 B5	90S	2
26.1	511	0.9	54.00	7200	PS 35 3S 090 B5	90L	4
26.2	509	1.6	34.40	9500	PS 35 3S 090 B6	100L	6
26.5	502	1.4	105.50	9500	PS 35 3S 090 B7	90S	2
27.1	491	2.7	33.20	15000	PS 55 3S 100 B5	100L	6
27.7	481	1.5	50.50	9500	PS 45 3S 090 B5	90L	4
28.9	461	2.6	96.90	15000	PS 55 3S 090 B5	90S	2
28.9	460	1.7	31.10	9500	PS 45 3S 100 B5	100L	6
29.7	449	1.6	94.30	9500	PS 45 3S 090 B5	90S	2
30.0	437	1.1	46.20	7200	PS 35 3S 090 B5	90L	4
30.2	441	3.1	29.80	15000	PS 55 3S 100 B5	100L	6
31.0	435	1.7	45.70	9500	PS 45 3S 090 B5	90L	4
32.2	414	2.9	87.00	15000	PS 55 3S 090 B5	90S	2
33.0	406	1.8	42.70	9500	PS 45 3S 090 B5	90L	4

PS SERIES / Inline Helical Gearbox
1.5 kW / 2 HP

n_2 o/p rpm	M_2 Nm	Sf_1	i Ratio	Rn_2 N	IEC Model	Motor Size	Pole
33.0	404	1.8	84.90	9500	PS 45 3S 090 B5	90S	2
33.0	415	1.7	27.45	9500	PS 45 2S 100 B5	100L	6
33.3	401	3.0	42.10	15000	PS 55 3S 090 B5	90L	4
34.0	389	1.2	41.20	7200	PS 35 3S 090 B5	90L	4
34.8	391	3.1	25.84	15000	PS 55 2S 100 B5	100L	6
36.1	369	3.3	77.50	15000	PS 55 3S 090 B5	90S	2
37.0	364	2.0	38.20	9500	PS 45 3S 090 B5	90L	4
37.0	365	2.0	76.80	9500	PS 45 3S 090 B5	90S	2
37.0	371	1.9	24.55	9500	PS 45 2S 100 B5	100L	6
37.6	354	3.4	37.20	15000	PS 55 3S 090 B5	90L	4
38.0	355	0.9	36.82	3060	PS 30 2S 090 B5	90L	4
38.0	355	1.4	36.82	7200	PS 35 2S 090 B5	90L	4
39.4	346	3.5	22.87	15000	PS 55 2S 100 B5	100L	6
41.0	327	2.2	34.40	9500	PS 45 3S 090 B5	90L	4
41.0	334	2.2	22.09	9100	PS 45 2S 100 B5	100L	6
43.0	317	1.0	32.80	3060	PS 30 2S 090 B5	90L	4
43.0	317	1.5	32.80	7200	PS 35 2S 090 B5	90L	4
45.0	296	2.4	31.10	9400	PS 45 3S 090 B5	90L	4
45.0	298	2.4	62.70	9500	PS 45 3S 090 B5	90S	2
45.0	302	2.4	19.99	8700	PS 45 2S 100 B5	100L	6
48.0	284	1.1	29.45	3050	PS 30 2S 090 B5	90L	4
48.0	284	1.7	29.45	7200	PS 35 2S 090 B5	90L	4
50.0	267	2.7	56.10	9200	PS 45 3S 090 B5	90S	2
51.0	267	2.7	27.45	8400	PS 45 2S 090 B5	90L	4
51.0	268	2.4	17.70	8400	PS 45 2S 100 B5	100L	6
55.0	240	3.0	50.50	8800	PS 45 3S 090 B5	90S	2
57.0	239	3.0	24.55	8000	PS 45 2S 090 B5	90L	4
57.0	239	2.7	15.83	8000	PS 45 2S 100 B5	100L	6
58.0	234	1.4	24.19	3000	PS 30 2S 090 B5	90L	4
58.0	234	2.1	24.19	7200	PS 35 2S 090 B5	90L	4
61.0	217	3.3	45.70	8350	PS 45 3S 090 B5	90S	2
63.0	215	3.0	14.25	7600	PS 45 2S 100 B5	100L	6
70.0	195	3.3	12.89	7200	PS 45 2S 100 B5	100L	6
73.0	185	1.4	19.21	3050	PS 30 2S 090 B5	90L	4
73.0	185	2.2	19.21	7200	PS 35 2S 090 B5	90L	4
82.0	165	1.6	17.11	3000	PS 30 2S 090 B5	90L	4
82.0	165	2.4	17.11	7200	PS 35 2S 090 B5	90L	4
86.0	158	1.0	16.42	1160	PS 25 2S 090 B5	90L	4
92.0	148	1.8	15.37	2940	PS 30 2S 090 B5	90L	4
92.0	148	2.7	15.37	7200	PS 35 2S 090 B5	90L	4
101.0	135	1.0	14.01	1270	PS 25 2S 090 B5	90L	4
112.0	122	2.1	12.62	2860	PS 30 2S 090 B5	90L	4
112.0	122	3.3	12.62	7200	PS 35 2S 090 B5	90L	4
122.0	111	1.2	11.51	1280	PS 25 2S 090 B5	90L	4
123.0	110	2.4	11.43	2830	PS 30 2S 090 B5	90L	4

PS SERIES / Inline Helical Gearbox**1.5 kW / 2 HP**

n_2 o/p rpm	M_2 Nm	Sf_1	i Ratio	Rn_2 N	IEC Model	Motor Size	Pole
134.0	102	1.3	10.53	1280	PS 25 2S 090 B5	90L	4
138.0	98	2.6	10.18	2760	PS 30 2S 090 B5	90L	4
154.0	88	2.9	9.14	2700	PS 30 2S 090 B5	90L	4
158.0	86	1.5	8.93	1270	PS 25 2S 090 B5	90L	4
164.0	83	2.9	17.11	2670	PS 30 2S 090 B5	90S	2
171.0	80	2.0	16.42	1270	PS 25 2S 090 B5	90S	2
179.0	76	1.6	7.88	1300	PS 25 2S 090 B5	90L	4
181.0	75	3.1	7.78	2620	PS 30 2S 090 B5	90L	4
182.0	75	3.2	15.37	2600	PS 30 2S 090 B5	90S	2
188.0	72	3.2	7.51	2570	PS 30 2S 090 B5	90L	4
200.0	68	1.6	14.01	1290	PS 25 2S 090 B5	90S	2
203.0	67	3.4	6.93	2550	PS 30 2S 090 B5	90L	4
217.0	63	1.0	6.46	1040	PS 20 2S 090 B5	90L	4
218.0	62	1.9	6.47	1270	PS 25 2S 090 B5	90L	4
238.0	57	2.1	5.92	1250	PS 25 2S 090 B5	90L	4
240.0	57	1.0	11.67	1030	PS 20 2S 090 B5	90S	2
243.0	56	2.0	11.51	1250	PS 25 2S 090 B5	90S	2
255.0	53	1.1	5.49	950	PS 20 2S 090 B5	90L	4
266.0	51	2.1	10.53	1230	PS 25 2S 090 B5	90S	2
281.0	48	2.5	5.02	1220	PS 25 2S 090 B5	90L	4
282.0	48	1.1	9.92	940	PS 20 2S 090 B5	90S	2
313.0	43	2.5	8.93	1200	PS 25 2S 090 B5	90S	2
327.0	42	1.2	8.57	940	PS 20 2S 090 B5	90S	2
355.0	38	2.6	7.88	1190	PS 25 2S 090 B5	90S	2
361.0	38	1.3	7.75	890	PS 20 2S 090 B5	90S	2
433.0	31	3.2	6.47	1140	PS 25 2S 090 B5	90S	2
433.0	31	1.6	6.46	800	PS 20 2S 090 B5	90S	2
473.0	29	3.5	5.92	1120	PS 25 2S 090 B5	90S	2
510.0	27	1.9	5.49	730	PS 20 2S 090 B5	90S	2

PS SERIES / Inline Helical Gearbox**2.2 kW / 3 HP**

n_2 o/p rpm	M_2 Nm	Sf_1	i Ratio	Rn_2 N	IEC Model	Motor Size	Pole
13.1	1489	0.9	68.60	15000	PS 55 3S 112 B5	112M	6
14.4	1352	0.9	96.90	15000	PS 55 3S 100 B5	100L	4
14.7	1329	1.0	61.20	15000	PS 55 3S 112 B5	112M	6
14.7	1328	0.9	190.30	15000	PS 55 3S 090 B5	90L	2
16.1	1214	1.0	87.00	15000	PS 55 3S 100 B5	100L	4
16.4	1192	1.1	54.90	15000	PS 55 3S 112 B5	112M	6
16.6	1175	1.0	168.40	15000	PS 55 3S 090 B5	90L	2
18.1	1082	1.1	108.10	15000	PS 55 3S 100 B5	100L	4
18.6	1048	1.1	150.20	15000	PS 55 3S 090 B5	90L	2
20.4	957	1.3	68.60	15000	PS 55 3S 100 B5	100L	4
20.8	941	1.3	134.80	15000	PS 55 3S 090 B5	90L	2
21.1	927	0.9	81.40	9500	PS 45 3S 112 B5	112M	6
21.4	914	1.5	42.10	15000	PS 55 3S 112 B5	112M	6
22.8	856	1.4	122.70	15000	PS 55 3S 090 B5	90L	2
22.9	854	1.4	61.20	15000	PS 55 3S 100 B5	100L	4
23.6	829	1.0	38.20	9500	PS 45 3S 112 B5	112M	6
24.2	808	1.7	37.20	15000	PS 55 3S 112 B5	112M	6
25.0	783	0.9	56.10	9500	PS 45 3S 100 B5	100L	4
25.5	766	1.6	54.90	15000	PS 55 3S 100 B5	100L	4
25.8	758	1.6	108.60	15000	PS 55 3S 090 B5	90L	2
26.2	747	1.1	34.40	9500	PS 45 3S 112 B5	112M	6
26.5	736	1.0	105.50	9500	PS 45 3S 090 B5	90L	2
27.1	721	1.9	33.20	15000	PS 55 3S 112 B5	112M	6
27.7	705	1.0	50.50	9500	PS 45 3S 100 B5	100L	4
28.9	676	1.8	96.90	15000	PS 55 3S 090 B5	90L	2
28.9	675	1.2	31.10	9500	PS 45 3S 112 B5	112M	6
29.7	658	1.1	94.30	9500	PS 45 3S 090 B5	90L	2
30.2	647	2.1	29.80	15000	PS 55 3S 112 B5	112M	6
31.0	638	1.1	45.70	9500	PS 45 3S 100 B5	100L	4
32.2	607	2.0	87.00	15000	PS 55 3S 090 B5	90L	2
33.0	596	1.2	42.70	9500	PS 45 3S 100 B5	100L	4
33.0	592	1.2	84.90	9500	PS 45 3S 090 B5	90L	2
33.0	609	1.2	27.45	9500	PS 45 2S 112 B5	112M	6
33.3	588	2.0	42.10	15000	PS 55 3S 100 B5	100L	4
34.8	573	2.1	25.84	15000	PS 55 2S 112 B5	112M	6
36.0	536	1.3	76.80	9500	PS 45 3S 090 B5	90L	2
36.1	541	2.2	77.50	15000	PS 55 3S 090 B5	90L	2
37.0	533	1.3	38.20	9500	PS 45 3S 100 B5	100L	4
37.0	544	1.3	24.55	9500	PS 45 2S 112 B5	112M	6
37.6	519	2.3	37.20	15000	PS 55 3S 100 B5	100L	4
38.0	521	0.9	36.82	7200	PS 35 2S 100 B5	100L	4
39.4	507	2.4	22.87	15000	PS 55 2S 112 B5	112M	6
40.8	479	2.5	68.60	15000	PS 55 3S 090 B5	90L	2
41.0	480	1.5	34.40	9500	PS 45 3S 100 B5	100L	4
41.0	490	1.5	22.09	9100	PS 45 2S 112 B5	112M	6

PS SERIES / Inline Helical Gearbox
2.2 kW / 3 HP

n_2 o/p rpm	M_2 Nm	Sf_1	i Ratio	Rn_2 N	IEC Model	Motor Size	Pole
42.2	463	2.6	33.20	15000	PS 55 3S 100 B5	100L	4
43.0	464	1.0	32.80	7200	PS 35 2S 100 B5	100L	4
44.1	452	2.7	20.40	15000	PS 55 2S 112 B5	112M	6
45.0	434	1.7	31.10	9400	PS 45 3S 100 B5	100L	4
45.0	438	1.6	62.70	9500	PS 45 3S 090 B5	90L	2
45.0	443	1.6	19.99	8700	PS 45 2S 112 B5	112M	6
45.8	427	2.8	61.20	15000	PS 55 3S 090 B5	90L	2
47.0	416	2.9	29.80	15000	PS 55 3S 100 B5	100L	4
48.0	417	1.2	29.45	7200	PS 35 2S 100 B5	100L	4
49.2	406	3.0	18.31	14610	PS 55 2S 112 B5	112M	6
50.0	391	1.8	56.10	9200	PS 45 3S 090 B5	90L	2
51.0	391	1.8	27.45	8400	PS 45 2S 100 B5	100L	4
51.0	393	1.7	17.70	8400	PS 45 2S 112 B5	112M	6
51.0	383	3.1	54.90	15000	PS 55 3S 090 B5	90L	2
54.2	368	3.3	25.84	14400	PS 55 2S 100 B5	100L	4
55.0	352	2.0	50.50	8800	PS 45 3S 090 B5	90L	2
56.4	354	3.4	15.96	14170	PS 55 2S 112 B5	112M	6
57.0	350	2.1	24.55	8000	PS 45 2S 100 B5	100L	4
57.0	351	1.9	15.83	8000	PS 45 2S 112 B5	112M	6
58.0	342	0.9	24.19	2320	PS 30 2S 100 B5	100L	4
58.0	342	1.4	24.19	7200	PS 35 2S 100 B5	100L	4
61.0	319	2.3	45.70	8350	PS 45 3S 090 B5	90L	2
63.0	315	2.3	22.09	7500	PS 45 2S 100 B5	100L	4
63.0	316	2.1	14.25	7600	PS 45 2S 112 B5	112M	6
66.0	298	2.4	42.70	8300	PS 45 3S 090 B5	90L	2
70.0	285	2.5	19.99	7200	PS 45 2S 100 B5	100L	4
70.0	286	2.3	12.89	7200	PS 45 2S 112 B5	112M	6
73.0	272	1.0	19.21	2540	PS 30 2S 100 B5	100L	4
73.0	272	1.5	19.21	7200	PS 35 2S 100 B5	100L	4
73.0	267	2.7	38.20	7900	PS 45 3S 090 B5	90L	2
79.0	252	2.6	17.70	7300	PS 45 2S 100 B5	100L	4
81.0	240	3.0	34.40	7500	PS 45 3S 090 B5	90L	2
81.0	248	2.6	11.18	6900	PS 45 2S 112 B5	112M	6
82.0	242	1.1	17.11	2540	PS 30 2S 100 B5	100L	4
82.0	242	1.7	17.11	7200	PS 35 2S 100 B5	100L	4
88.0	226	2.9	15.83	6900	PS 45 2S 100 B5	100L	4
90.0	217	3.3	31.10	7150	PS 45 3S 090 B5	90L	2
90.0	222	2.9	10.00	6500	PS 45 2S 112 B5	112M	6
92.0	218	1.2	15.37	2520	PS 30 2S 100 B5	100L	4
92.0	218	1.8	15.37	7200	PS 35 2S 100 B5	100L	4
98.0	203	3.2	14.25	6500	PS 45 2S 100 B5	100L	4
100.0	200	3.3	9.00	6200	PS 45 2S 112 B5	112M	6
112.0	179	1.5	12.62	2480	PS 30 2S 100 B5	100L	4
112.0	179	2.2	12.62	7200	PS 35 2S 100 B5	100L	4
123.0	162	1.6	11.43	2530	PS 30 2S 100 B5	100L	4

PS SERIES / Inline Helical Gearbox**2.2 kW / 3 HP**

n_2 o/p rpm	M_2 Nm	Sf_1	i Ratio	Rn_2 N	IEC Model	Motor Size	Pole
123.0	162	2.5	11.43	7200	PS 35 2S 100 B5	100L	4
138.0	144	1.8	10.18	2490	PS 30 2S 100 B5	100L	4
138.0	144	2.8	10.18	7110	PS 35 2S 100 B5	100L	4
154.0	129	2.0	9.14	2450	PS 30 2S 100 B5	100L	4
154.0	129	3.1	9.14	6920	PS 35 2S 100 B5	100L	4
164.0	122	2.0	17.11	2440	PS 30 2S 090 B5	90L	2
164.0	122	3.0	17.11	6830	PS 35 2S 090 B5	90L	2
171.0	117	14.0	16.42	990	PS 25 2S 090 B5	90L	2
181.0	110	2.1	7.78	2420	PS 30 2S 100 B5	100L	4
181.0	110	3.1	7.78	6690	PS 35 2S 100 B5	100L	4
183.0	109	2.2	15.37	2390	PS 30 2S 090 B5	90L	2
183.0	109	3.3	15.37	6650	PS 35 2S 090 B5	90L	2
188.0	106	2.2	7.51	2360	PS 30 2S 100 B5	100L	4
188.0	106	3.2	7.51	6590	PS 35 2S 100 B5	100L	4
201.0	100	1.1	14.01	1070	PS 25 2S 090 B5	90L	2
203.0	98	2.3	6.93	2360	PS 30 2S 100 B5	100L	4
203.0	98	3.5	6.93	6490	PS 35 2S 100 B5	100L	4
223.0	90	2.7	12.62	2300	PS 30 2S 090 B5	90L	2
227.0	88	2.6	6.22	2310	PS 30 2S 100 B5	100L	4
244.0	82	1.3	11.51	1070	PS 25 2S 090 B5	90L	2
246.0	81	2.6	11.43	2290	PS 30 2S 090 B5	90L	2
267.0	75	1.5	10.53	1060	PS 25 2S 090 B5	90L	2
276.0	72	3.2	5.11	2210	PS 30 2S 100 B5	100L	4
276.0	72	2.9	10.18	2230	PS 30 2S 090 B5	90L	2
307.0	95	3.2	9.14	2170	PS 30 2S 090 B5	90L	2
315.0	63	1.7	8.93	1050	PS 25 2S 090 B5	90L	2
357.0	56	1.8	7.88	1060	PS 25 2S 090 B5	90L	2
361.0	55	3.3	7.78	2110	PS 30 2S 090 B5	90L	2
374.0	53	3.4	7.51	2070	PS 30 2S 090 B5	90L	2
434.0	46	2.2	6.47	1030	PS 25 2S 090 B5	90L	2
475.0	42	2.4	5.92	1020	PS 25 2S 090 B5	90L	2
559.0	36	2.8	5.02	990	PS 25 2S 090 B5	90L	2

PS SERIES / Inline Helical Gearbox**3 kW / 4 HP**

n_2 o/p rpm	M_2 Nm	Sf_1	i Ratio	Rn_2 N	IEC Model	Motor Size	Pole
20.4	1306	0.9	68.60	15000	PS 55 3S 100 B5	100L	4
20.8	1283	0.9	134.80	15000	PS 55 3S 100 B5	100L	2
22.8	1168	1.0	122.70	15000	PS 55 3S 100 B5	100L	2
22.9	1165	1.0	61.20	15000	PS 55 3S 100 B5	100L	4
25.5	1045	1.1	54.90	15000	PS 55 3S 100 B5	100L	4
25.8	1033	1.2	108.60	15000	PS 55 3S 100 B5	100L	2
28.9	922	1.3	96.90	15000	PS 55 3S 100 B5	100L	2
32.2	828	1.4	108.10	15000	PS 55 3S 100 B5	100L	2
33.3	801	1.5	42.10	15000	PS 55 3S 100 B5	100L	4
34.8	781	1.5	25.84	15000	PS 55 2S 132 B5	132S	6
36.0	731	1.0	76.80	9500	PS 45 3S 100 B5	100L	2
36.1	737	1.6	81.40	15000	PS 55 3S 100 B5	100L	2
37.0	727	1.0	38.20	9500	PS 45 3S 100 B5	100L	4
37.6	708	1.7	37.20	15000	PS 55 3S 100 B5	100L	4
39.4	692	1.7	22.87	15000	PS 55 2S 132 B5	132S	6
40.8	653	1.8	68.60	15000	PS 55 3S 100 B5	100L	2
41.0	655	1.1	34.40	9500	PS 45 3S 100 B5	100L	4
42.2	632	1.9	33.20	15000	PS 55 3S 100 B5	100L	4
44.1	617	1.9	20.40	15000	PS 55 2S 132 B5	132S	6
45.0	592	1.2	31.10	9400	PS 45 3S 100 B5	100L	4
45.0	597	1.2	62.70	9500	PS 45 3S 100 B5	100L	2
45.8	582	2.1	61.20	15000	PS 55 3S 100 B5	100L	2
47.0	567	2.1	29.80	15000	PS 55 3S 100 B5	100L	4
49.2	554	2.2	18.31	14610	PS 55 2S 132 B5	132S	6
50.0	534	1.3	56.10	9200	PS 45 3S 100 B5	100L	2
51.0	522	1.4	27.45	8400	PS 45 2S 100 B5	100L	4
51.0	522	2.3	54.90	15000	PS 55 3S 100 B5	100L	2
54.2	502	2.4	25.84	14400	PS 55 2S 100 B5	100L	4
55.0	481	1.5	50.50	8800	PS 45 3S 100 B5	100L	2
56.4	483	2.5	15.96	14170	PS 55 2S 132 B5	132S	6
57.0	467	1.5	24.55	8000	PS 45 2S 100 B5	100L	4
58.0	467	1.0	24.19	7200	PS 35 2S 100 B5	100L	4
61.0	435	1.7	45.70	8350	PS 45 3S 100 B5	100L	2
61.2	445	2.7	22.87	13600	PS 55 2S 100 B5	100L	4
63.0	420	1.7	22.09	7500	PS 45 2S 100 B5	100L	4
63.7	427	2.8	14.13	13340	PS 55 2S 132 B5	132S	6
66.0	406	1.8	42.70	8300	PS 45 3S 100 B5	100L	2
66.5	401	3.0	42.10	14300	PS 55 3S 100 B5	100L	2
68.6	397	3.0	20.40	12800	PS 55 2S 100 B5	100L	4
70.0	380	1.9	19.99	7200	PS 45 2S 100 B5	100L	4
71.4	381	3.1	12.60	12560	PS 55 2S 132 B5	132S	6
73.0	371	1.1	19.21	7200	PS 35 2S 100 B5	100L	4
73.0	364	2.0	38.20	7900	PS 45 3S 100 B5	100L	2
75.3	354	3.4	37.20	13500	PS 55 3S 100 B5	100L	2
76.5	356	3.4	18.31	12000	PS 55 2S 100 B5	100L	4

PS SERIES / Inline Helical Gearbox
3 kW / 4 HP

n_2 o/p rpm	M_2 Nm	Sf_1	i Ratio	Rn_2 N	IEC Model	Motor Size	Pole
79.0	337	1.9	17.70	7300	PS 45 2S 100 B5	100L	4
79.6	342	3.5	11.31	11840	PS 55 2S 132 B5	132S	6
81.0	327	2.2	34.40	7500	PS 45 3S 100 B5	100L	2
82.0	330	1.2	17.11	7200	PS 35 2S 100 B5	100L	4
87.7	310	3.5	15.96	12200	PS 55 2S 100 B5	100L	4
88.0	301	2.2	15.83	6900	PS 45 2S 100 B5	100L	4
90.0	296	2.4	31.10	7150	PS 45 3S 100 B5	100L	2
92.0	297	1.3	15.37	7200	PS 35 2S 100 B5	100L	4
98.0	271	2.4	14.25	6500	PS 45 2S 100 B5	100L	4
102.0	261	2.8	27.45	6200	PS 45 2S 100 B5	100L	2
109.0	245	2.6	12.89	6200	PS 45 2S 100 B5	100L	4
112.0	244	1.1	12.62	2070	PS 30 2S 100 B5	100L	4
112.0	244	1.6	12.62	7030	PS 35 2S 100 B5	100L	4
114.0	234	3.1	24.55	5800	PS 45 2S 100 B5	100L	2
123.0	221	1.2	11.43	2190	PS 30 2S 100 B5	100L	4
123.0	221	1.8	11.43	6990	PS 35 2S 100 B5	100L	4
125.0	213	3.1	11.18	6000	PS 45 2S 100 B5	100L	4
127.0	210	3.4	22.09	5500	PS 45 2S 100 B5	100L	2
138.0	197	1.3	10.18	2180	PS 30 2S 100 B5	100L	4
138.0	197	2.0	10.18	6820	PS 35 2S 100 B5	100L	4
140.0	190	3.4	10.00	5600	PS 45 2S 100 B5	100L	4
154.0	176	1.5	9.14	2160	PS 30 2S 100 B5	100L	4
154.0	176	2.3	9.14	6670	PS 35 2S 100 B5	100L	4
167.0	163	1.5	17.11	2180	PS 30 2S 100 B5	100L	2
167.0	163	2.2	17.11	6570	PS 35 2S 100 B5	100L	2
181.0	150	1.5	7.78	2180	PS 30 2S 100 B5	100L	4
181.0	150	2.3	7.78	6470	PS 35 2S 100 B5	100L	4
186.0	146	1.6	15.37	2150	PS 30 2S 100 B5	100L	2
186.0	146	2.5	15.37	6410	PS 35 2S 100 B5	100L	2
188.0	145	1.6	7.51	2120	PS 30 2S 100 B5	100L	4
188.0	145	2.3	7.51	6370	PS 35 2S 100 B5	100L	4
203.0	134	1.7	6.93	2150	PS 30 2S 100 B5	100L	4
203.0	134	2.5	6.93	6300	PS 35 2S 100 B5	100L	4
227.0	120	2.0	12.62	2090	PS 30 2S 100 B5	100L	2
227.0	120	3.0	12.62	6120	PS 35 2S 100 B5	100L	2
227.0	120	1.9	6.22	2110	PS 30 2S 100 B5	100L	4
227.0	120	2.8	6.22	6140	PS 35 2S 100 B5	100L	4
250.0	109	1.9	11.43	2110	PS 30 2S 100 B5	100L	2
250.0	109	2.9	11.43	6020	PS 35 2S 100 B5	100L	2
276.0	99	2.3	5.11	2040	PS 30 2S 100 B5	100L	4
276.0	99	3.4	5.11	5850	PS 35 2S 100 B5	100L	4
281.0	97	2.2	10.18	2070	PS 30 2S 100 B5	100L	2
281.0	97	3.3	10.18	5850	PS 35 2S 100 B5	100L	2
313.0	87	2.4	9.14	2030	PS 30 2S 100 B5	100L	2
368.0	74	2.4	7.78	1980	PS 30 2S 100 B5	100L	2

PS SERIES / Inline Helical Gearbox**3 kW / 4 HP**

n_2 o/p rpm	M_2 Nm	Sf_1	i Ratio	Rn_2 N	IEC Model	Motor Size	Pole
381.0	71	2.5	7.51	1940	PS 30 2S 100 B5	100L	2
413.0	66	2.7	6.93	1930	PS 30 2S 100 B5	100L	2
460.0	59	3.0	6.22	1890	PS 30 2S 100 B5	100L	2

PS SERIES / Inline Helical Gearbox
3.7 kW / 5 HP

n_2 o/p rpm	M_2 Nm	Sf_1	i Ratio	Rn_2 N	IEC Model	Motor Size	Pole
21.4	1537	0.9	42.10	15000	PS 55 3S 132 B5	132S	6
24.2	1358	1.0	37.20	15000	PS 55 3S 132 B5	132S	6
25.5	1289	0.9	54.90	15000	PS 55 3S 112 B5	112M	4
25.8	1275	0.9	108.60	15000	PS 55 3S 100 B5	100L	2
27.1	1212	1.1	33.20	15000	PS 55 3S 132 B5	132S	6
28.9	1137	1.1	96.90	15000	PS 55 3S 100 B5	100L	2
30.2	1088	1.2	29.80	15000	PS 55 3S 132 B5	132S	6
32.2	1021	1.2	108.10	15000	PS 55 3S 100 B5	100L	2
33.3	988	1.2	42.10	15000	PS 55 3S 112 B5	112M	4
34.8	964	1.2	25.84	15000	PS 55 2S 132 B5	132S	6
36.1	910	1.3	77.50	15000	PS 55 3S 100 B5	100L	2
37.6	873	1.4	81.40	15000	PS 55 3S 112 B5	112M	4
39.4	853	1.4	22.87	15000	PS 55 2S 132 B5	132S	6
40.8	805	1.5	68.60	15000	PS 55 3S 100 B5	100L	2
41.0	807	0.9	34.40	9500	PS 45 3S 112 B5	112M	4
41.0	824	0.9	22.09	9100	PS 45 2S 132 B5	132S	6
42.2	779	1.5	33.20	15000	PS 55 3S 112 B5	112M	4
44.1	761	1.6	20.40	15000	PS 55 2S 132 B5	132S	6
45.0	730	1.0	31.10	9400	PS 45 3S 112 B5	112M	4
45.0	736	1.0	62.70	9500	PS 45 3S 100 B5	100L	2
45.0	746	1.0	19.99	8700	PS 45 2S 132 B5	132S	6
45.8	718	1.7	61.20	15000	PS 55 3S 100 B5	100L	2
47.0	699	1.7	29.80	15000	PS 55 3S 112 B5	112M	4
49.2	683	1.8	18.31	14610	PS 55 2S 132 B5	132S	6
50.0	658	1.1	56.10	9200	PS 45 3S 100 B5	100L	2
51.0	658	1.1	27.45	8400	PS 45 2S 112 B5	112M	4
51.0	660	1.0	17.70	8400	PS 45 2S 132 B5	132S	6
51.0	644	1.9	54.90	15000	PS 55 3S 100 B5	100L	2
54.2	620	1.9	25.84	15000	PS 55 2S 112 B5	112M	4
55.0	593	1.2	50.50	8800	PS 45 3S 100 B5	100L	2
56.4	595	2.0	15.96	14170	PS 55 2S 132 B5	132S	6
57.0	589	1.2	24.55	8000	PS 45 2S 112 B5	112M	4
57.0	590	1.1	15.83	8000	PS 45 2S 132 B5	132S	6
61.0	536	1.3	45.70	8350	PS 45 3S 100 B5	100L	2
61.2	548	2.2	22.87	15000	PS 55 2S 112 B5	112M	4
63.0	530	1.4	22.09	7500	PS 45 2S 112 B5	112M	4
63.0	531	1.2	14.25	7600	PS 45 2S 132 B5	132S	6
63.7	527	2.3	14.13	13340	PS 55 2S 132 B5	132S	6
66.0	501	1.4	42.70	8300	PS 45 3S 100 B5	100L	2
66.5	494	2.4	42.10	14300	PS 55 3S 100 B5	100L	2
68.6	489	2.5	20.40	15000	PS 55 2S 112 B5	112M	4
70.0	479	1.5	19.99	7200	PS 45 2S 112 B5	112M	4
70.0	481	1.4	12.89	7200	PS 45 2S 132 B5	132S	6
71.4	470	2.6	12.60	12560	PS 55 2S 132 B5	132S	6
73.0	448	1.6	38.20	7900	PS 45 3S 100 B5	100L	2

PS SERIES / Inline Helical Gearbox
3.7 kW / 5 HP

n_2 o/p rpm	M_2 Nm	Sf_1	i Ratio	Rn_2 N	IEC Model	Motor Size	Pole
75.3	437	2.7	37.20	13500	PS 55 3S 100 B5	100L	2
76.5	439	2.7	18.31	15000	PS 55 2S 112 B5	112M	4
79.0	424	1.5	17.70	7300	PS 45 2S 112 B5	112M	4
79.6	422	2.8	11.31	11840	PS 55 2S 132 B5	132S	6
81.0	404	1.8	34.40	7500	PS 45 3S 100 B5	100L	2
81.0	417	1.6	11.18	6900	PS 45 2S 132 B5	132S	6
84.3	390	3.1	33.20	12800	PS 55 3S 100 B5	100L	2
87.3	385	3.1	10.31	11750	PS 55 2S 132 B5	132S	6
87.7	383	2.9	15.96	15000	PS 55 2S 112 B5	112M	4
88.0	380	1.7	15.83	6900	PS 45 2S 112 B5	112M	4
90.0	373	1.1	15.37	6750	PS 35 2S 112 B5	112M	4
90.0	365	2.0	31.10	7150	PS 45 3S 100 B5	100L	2
90.0	373	1.7	10.00	6500	PS 45 2S 132 B5	132S	6
94.0	350	3.4	29.80	12100	PS 55 3S 100 B5	100L	2
98.0	342	1.9	14.25	6500	PS 45 2S 112 B5	112M	4
98.6	341	3.5	9.13	11000	PS 55 2S 132 B5	132S	6
99.1	339	3.2	14.13	14900	PS 55 2S 112 B5	112M	4
100.0	336	1.9	9.00	6200	PS 45 2S 132 B5	132S	6
102.0	329	2.2	27.45	6200	PS 45 2S 100 B5	100L	2
109.0	309	2.1	12.89	6200	PS 45 2S 112 B5	112M	4
110.0	305	1.3	12.62	6160	PS 35 2S 112 B5	112M	4
111.0	304	2.1	8.14	5800	PS 45 2S 132 B5	132S	6
114.0	294	2.4	24.55	5800	PS 45 2S 100 B5	100L	2
122.5	274	1.5	11.43	6050	PS 35 2S 112 B5	112M	4
125.0	268	2.4	11.18	6000	PS 45 2S 112 B5	112M	4
127.0	265	2.7	22.09	5500	PS 45 2S 100 B5	100L	2
137.5	244	1.6	10.18	5470	PS 35 2S 112 B5	112M	4
140.0	240	2.7	10.00	5600	PS 45 2S 112 B5	112M	4
140.0	240	3.0	19.99	5200	PS 45 2S 100 B5	100L	2
148.0	226	2.3	6.07	5200	PS 45 2S 132 B5	132S	6
153.2	219	1.8	9.14	5460	PS 35 2S 112 B5	112M	4
156.0	216	3.0	9.00	5300	PS 45 2S 112 B5	112M	4
158.0	212	3.1	17.70	5600	PS 45 2S 100 B5	100L	2
166.0	203	2.6	5.43	4900	PS 45 2S 132 B5	132S	6
172.0	195	3.3	8.14	5000	PS 45 2S 112 B5	112M	4
177.0	190	3.4	15.83	5300	PS 45 2S 100 B5	100L	2
179.9	187	1.8	7.78	5480	PS 35 2S 112 B5	112M	4
184.0	182	2.8	4.89	4600	PS 45 2S 132 B5	132S	6
186.4	180	1.9	7.51	5280	PS 35 2S 112 B5	112M	4
202.0	166	2.0	6.93	5200	PS 35 2S 112 B5	112M	4
204.0	165	3.2	4.42	4250	PS 45 2S 132 B5	132S	6
225.1	149	2.3	6.22	4950	PS 35 2S 112 B5	112M	4
274.0	123	2.8	5.11	4500	PS 35 2S 112 B5	112M	4

PS SERIES / Inline Helical Gearbox**5.5 kW / 7.5 HP**

n_2 o/p rpm	M_2 Nm	Sf_1	i Ratio	Rn_2 N	IEC Model	Motor Size	Pole
36.1	1352	0.9	77.50	15000	PS 55 3S 112 B5	112M	2
37.6	1298	0.9	37.20	15000	PS 55 3S 132 B5	132S	4
39.4	1268	0.9	22.87	15000	PS 55 2S 132 B5	132M	6
40.8	1197	1.0	68.60	15000	PS 55 3S 112 B5	112M	2
42.2	1158	1.0	33.20	15000	PS 55 3S 132 B5	132S	4
44.1	1131	1.1	20.40	15000	PS 55 2S 132 B5	132M	6
45.8	1068	1.1	61.20	15000	PS 55 3S 112 B5	112M	2
47.0	1040	1.2	108.10	15000	PS 55 3S 132 B5	132S	4
49.2	1015	1.2	18.31	14610	PS 55 2S 132 B5	132M	6
51.0	958	1.3	54.90	15000	PS 55 3S 112 B5	112M	2
54.2	921	1.3	25.84	15000	PS 55 2S 132 B5	132S	4
56.4	885	1.4	81.40	14170	PS 55 2S 132 B5	132M	6
61.0	797	0.9	45.70	8350	PS 45 3S 112 B5	112M	2
61.2	815	1.5	22.87	15000	PS 55 2S 132 B5	132S	4
63.0	787	0.9	22.09	7500	PS 45 2S 132 B5	132S	4
63.7	783	1.5	14.13	13340	PS 55 2S 132 B5	132M	6
66.0	745	1.0	42.70	8300	PS 45 3S 112 B5	112M	2
66.5	734	1.6	42.10	14300	PS 55 3S 112 B5	112M	2
68.6	727	1.7	20.40	15000	PS 55 2S 132 B5	132S	4
70.0	712	1.0	19.99	7200	PS 45 2S 132 B5	132S	4
70.0	715	0.9	12.89	7200	PS 45 2S 132 B5	132M	6
71.4	699	1.7	12.60	12560	PS 55 2S 132 B5	132M	6
73.0	666	1.1	38.20	7900	PS 45 3S 112 B5	112M	2
75.3	649	1.8	37.20	13500	PS 55 3S 112 B5	112M	2
76.5	653	1.8	18.31	14700	PS 55 2S 132 B5	132S	4
79.0	631	1.0	17.70	7300	PS 45 2S 132 B5	132S	4
79.6	627	1.9	11.31	11840	PS 55 2S 132 B5	132M	6
81.0	600	1.2	34.40	7500	PS 45 3S 112 B5	112M	2
81.0	620	1.0	11.18	6900	PS 45 2S 132 B5	132M	6
84.3	579	2.1	33.20	12800	PS 55 3S 112 B5	112M	2
87.3	572	2.1	10.31	11750	PS 55 2S 132 B5	132M	6
87.7	569	1.9	15.96	14500	PS 55 2S 132 B5	132S	4
88.0	564	1.2	15.83	6900	PS 45 2S 132 B5	132S	4
90.0	543	1.3	31.10	7150	PS 45 3S 112 B5	112M	2
90.0	554	1.2	10.00	6500	PS 45 2S 132 B5	132M	6
94.0	520	2.3	29.80	12100	PS 55 3S 112 B5	112M	2
98.0	508	1.3	14.25	6500	PS 45 2S 132 B5	132S	4
98.6	506	2.4	9.13	11000	PS 55 2S 132 B5	132M	6
99.1	504	2.2	14.13	14200	PS 55 2S 132 B5	132S	4
100.0	499	1.3	9.00	6200	PS 45 2S 132 B5	132M	6
102.0	489	1.5	27.45	6200	PS 45 2S 112 B5	112M	2
108.4	460	2.6	25.84	10700	PS 55 2S 112 B5	112M	2
109.0	459	1.4	12.89	6200	PS 45 2S 132 B5	132S	4
110.6	451	2.7	8.14	10300	PS 55 2S 132 B5	132M	6
111.0	451	1.4	8.14	5800	PS 45 2S 132 B5	132M	6

PS SERIES / Inline Helical Gearbox**5.5 kW / 7.5 HP**

n_2 o/p rpm	M_2 Nm	Sf_1	i Ratio	Rn_2 N	IEC Model	Motor Size	Pole
111.1	449	2.4	12.60	13800	PS 55 2S 132 B5	132S	4
114.0	438	1.6	24.55	5800	PS 45 2S 112 B5	112M	2
122.4	408	2.9	22.87	9950	PS 55 2S 112 B5	112M	2
123.1	405	3.0	7.31	10000	PS 55 2S 132 B5	132M	6
123.8	403	2.7	11.31	13500	PS 55 2S 132 B5	132S	4
125.0	398	1.6	11.18	6000	PS 45 2S 132 B5	132S	4
127.0	394	1.8	22.09	5500	PS 45 2S 112 B5	112M	2
135.8	367	3.0	10.31	13300	PS 55 2S 132 B5	132S	4
137.3	364	3.3	20.40	9300	PS 55 2S 112 B5	112M	2
140.0	356	1.8	10.00	5600	PS 45 2S 132 B5	132S	4
140.0	356	2.0	19.99	5200	PS 45 2S 112 B5	112M	2
140.2	356	3.4	6.42	9800	PS 55 2S 132 B5	132M	6
148.0	337	1.5	6.07	5200	PS 45 2S 132 B5	132M	6
152.9	326	3.4	18.31	9150	PS 55 2S 112 B5	112M	2
153.3	325	3.4	9.13	13000	PS 55 2S 132 B5	132S	4
156.0	321	2.0	9.00	5300	PS 45 2S 132 B5	132S	4
158.0	315	2.1	17.70	5600	PS 45 2S 112 B5	112M	2
166.0	301	1.7	5.43	4900	PS 45 2S 132 B5	132M	6
172.0	290	2.2	8.14	5000	PS 45 2S 132 B5	132S	4
175.4	284	3.5	15.96	9400	PS 55 2S 112 B5	112M	2
177.0	282	2.3	15.83	5300	PS 45 2S 112 B5	112M	2
184.0	271	1.9	4.89	4600	PS 45 2S 132 B5	132M	6
196.0	254	2.6	14.25	5000	PS 45 2S 112 B5	112M	2
204.0	245	2.1	4.42	4250	PS 45 2S 132 B5	132M	6
217.0	230	2.8	12.89	4700	PS 45 2S 112 B5	112M	2
218.1	229	3.5	6.42	13000	PS 55 2S 132 B5	132S	4
231.0	216	2.4	6.07	5050	PS 45 2S 132 B5	132S	4
250.0	199	3.3	11.18	4900	PS 45 2S 112 B5	112M	2
258.0	194	2.7	5.43	4800	PS 45 2S 132 B5	132S	4
286.0	174	3.0	4.89	4500	PS 45 2S 132 B5	132S	4
317.0	158	3.3	4.42	4250	PS 45 2S 132 B5	132S	4

PS SERIES / Inline Helical Gearbox

7.5 kW / 10 HP

n_2 o/p rpm	M_2 Nm	Sf_1	i Ratio	Rn_2 N	IEC Model	Motor Size	Pole
49.2	1384	0.9	18.31	14610	PS 55 2S 160 B5	160S	6
51.0	1306	0.9	54.90	15000	PS 55 3S 132 B5	132S	2
54.2	1256	1.0	25.84	14100	PS 55 2S 132 B5	132M	4
56.4	1207	1.0	15.96	14170	PS 55 2S 160 B5	160S	6
61.2	1112	1.1	22.87	13900	PS 55 2S 132 B5	132M	4
63.7	1068	1.1	14.13	13340	PS 55 2S 160 B5	160S	6
66.5	1002	1.2	42.10	14300	PS 55 3S 132 B5	132S	2
68.6	991	1.2	108.10	13700	PS 55 2S 132 B5	132M	4
71.4	953	1.3	12.60	12560	PS 55 2S 160 B5	160S	6
75.3	885	1.4	37.20	13500	PS 55 3S 132 B5	132S	2
76.5	890	1.3	18.31	13500	PS 55 2S 132 B5	132M	4
79.6	855	1.4	81.40	11840	PS 55 2S 160 B5	160S	6
84.3	790	1.5	33.20	13300	PS 55 3S 132 B5	132S	2
87.3	779	1.5	10.31	11750	PS 55 2S 160 B5	160S	6
87.7	776	1.4	15.96	13600	PS 55 2S 132 B5	132M	4
94.0	709	1.7	29.80	13000	PS 55 3S 132 B5	132S	2
98.0	693	0.9	14.25	6500	PS 45 2S 132 B5	132M	4
98.6	690	1.7	9.13	11000	PS 55 2S 160 B5	160S	6
99.1	687	1.6	14.13	13300	PS 55 2S 132 B5	132M	4
102.0	667	1.1	27.45	6200	PS 45 2S 132 B5	132S	2
108.4	628	1.9	25.84	12700	PS 55 2S 132 B5	132S	2
109.0	626	1.0	12.89	6200	PS 45 2S 132 B5	132M	4
110.6	615	1.9	8.14	10300	PS 55 2S 160 B5	160S	6
111.1	612	1.8	12.60	13000	PS 55 2S 132 B5	132M	4
114.0	597	1.2	24.55	5800	PS 45 2S 132 B5	132S	2
122.4	556	2.2	22.87	12500	PS 55 2S 132 B5	132S	2
123.1	553	2.2	7.31	9650	PS 55 2S 160 B5	160S	6
123.8	550	2.0	11.31	12800	PS 55 2S 132 B5	132M	4
125.0	543	1.2	11.18	6000	PS 45 2S 132 B5	132M	4
127.0	537	1.3	22.09	5500	PS 45 2S 132 B5	132S	2
135.8	501	2.2	10.31	12700	PS 55 2S 132 B5	132M	4
137.3	496	2.4	20.40	12400	PS 55 2S 132 B5	132S	2
140.0	486	1.3	10.00	5600	PS 45 2S 132 B5	132M	4
140.0	486	1.5	19.99	5200	PS 45 2S 132 B5	132S	2
140.2	485	2.5	6.42	9450	PS 55 2S 160 B5	160S	6
152.9	445	2.5	18.31	12300	PS 55 2S 132 B5	132S	2
153.3	444	2.5	9.13	12400	PS 55 2S 132 B5	132M	4
156.0	437	1.5	9.00	5300	PS 45 2S 132 B5	132M	4
158.0	430	1.5	17.70	5600	PS 45 2S 132 B5	132S	2
158.5	429	2.8	5.68	8790	PS 55 2S 160 B5	160S	6
172.0	396	2.8	8.14	12100	PS 55 2S 132 B5	132M	4
172.0	396	1.6	8.14	5000	PS 45 2S 132 B5	132M	4
175.4	388	2.6	15.96	12000	PS 55 2S 132 B5	132S	2
177.0	385	1.7	15.83	5300	PS 45 2S 132 B5	132S	2
177.5	383	3.1	5.07	8160	PS 55 2S 160 B5	160S	6

PS SERIES / Inline Helical Gearbox**7.5 kW / 10 HP**

n_2 o/p rpm	M_2 Nm	Sf_1	i Ratio	Rn_2 N	IEC Model	Motor Size	Pole
191.5	355	3.1	7.31	8200	PS 55 2S 132 B5	132M	4
196.0	346	1.9	14.25	5000	PS 45 2S 132 B5	132S	2
197.8	344	3.5	4.55	8080	PS 55 2S 160 B5	160S	6
198.2	343	2.9	14.13	11500	PS 55 2S 132 B5	132S	2
217.0	313	2.1	12.89	4700	PS 45 2S 132 B5	132S	2
218.1	312	2.6	6.42	11600	PS 55 2S 132 B5	132M	4
222.2	306	3.3	12.60	11200	PS 55 2S 132 B5	132S	2
231.0	295	1.8	6.07	5050	PS 45 2S 132 B5	132M	4
246.5	276	2.9	5.68	11300	PS 55 2S 132 B5	132M	4
250.0	272	2.4	11.18	4900	PS 45 2S 132 B5	132S	2
258.0	264	2.0	5.43	4800	PS 45 2S 132 B5	132M	4
276.1	246	3.2	5.07	11000	PS 55 2S 132 B5	132M	4
280.0	243	2.7	10.00	4600	PS 45 2S 132 B5	132S	2
286.0	238	2.2	4.89	4500	PS 45 2S 132 B5	132M	4
311.0	219	3.0	9.00	4300	PS 45 2S 132 B5	132S	2
317.0	215	2.4	4.42	4250	PS 45 2S 132 B5	132M	4
344.0	198	3.3	8.14	4100	PS 45 2S 132 B5	132S	2
461.0	148	3.5	6.07	4100	PS 45 2S 132 B5	132S	2

PS SERIES / Inline Helical Gearbox**9.3 kW / 12.5 HP**

n_2 o/p rpm	M_2 Nm	Sf_1	i Ratio	Rn_2 N	IEC Model	Motor Size	Pole
61.2	1378	0.9	22.87	12800	PS 55 2S 160 B5	160S	4
63.7	1325	0.9	14.13	13340	PS 55 2S 160 B5	160M	6
66.5	1242	1.0	42.10	14300	PS 55 3S 132 B5	132M	2
68.6	1229	1.0	20.40	12700	PS 55 2S 160 B5	160S	4
71.4	1181	1.0	12.60	12560	PS 55 2S 160 B5	160M	6
75.3	1097	1.1	37.20	13500	PS 55 3S 132 B5	132M	2
76.5	1103	1.1	18.31	12500	PS 55 2S 160 B5	160S	4
79.6	1060	1.1	108.10	11840	PS 55 2S 160 B5	160M	6
84.3	979	1.2	33.20	12800	PS 55 3S 132 B5	132M	2
87.3	967	1.2	10.31	11750	PS 55 2S 160 B5	160M	6
87.7	962	1.1	15.96	12500	PS 55 2S 160 B5	160S	4
94.0	879	1.4	81.40	12100	PS 55 3S 132 B5	132M	2
98.6	856	1.4	9.13	11000	PS 55 2S 160 B5	160M	6
99.1	852	1.3	14.13	12600	PS 55 2S 160 B5	160S	4
108.4	779	1.5	25.84	10700	PS 55 2S 132 B5	132M	2
110.6	763	1.6	8.14	10300	PS 55 2S 160 B5	160M	6
111.1	759	1.4	12.60	12400	PS 55 2S 160 B5	160S	4
122.4	689	1.7	22.87	9950	PS 55 2S 132 B5	132M	2
123.1	685	1.8	7.31	10000	PS 55 2S 160 B5	160M	6
123.8	682	1.6	11.31	12200	PS 55 2S 160 B5	160S	4
135.8	621	1.8	10.31	12200	PS 55 2S 160 B5	160S	4
137.3	615	2.0	20.40	9300	PS 55 2S 132 B5	132M	2
140.2	602	2.0	6.42	9800	PS 55 2S 160 B5	160M	6
152.9	552	2.0	18.31	9150	PS 55 2S 132 B5	132M	2
153.3	550	2.0	9.13	12000	PS 55 2S 160 B5	160S	4
158.5	532	2.3	5.68	9700	PS 55 2S 160 B5	160M	6
172.0	491	2.2	8.14	11700	PS 55 2S 160 B5	160S	4
175.4	481	2.1	15.96	9400	PS 55 2S 132 B5	132M	2
177.5	475	2.5	5.07	9500	PS 55 2S 160 B5	160M	6
191.5	441	2.5	7.31	11400	PS 55 2S 160 B5	160S	4
197.8	427	2.8	4.55	9000	PS 55 2S 160 B5	160M	6
198.2	426	2.3	14.13	8800	PS 55 2S 132 B5	132M	2
218.1	387	2.1	6.42	11300	PS 55 2S 160 B5	160S	4
222.2	380	2.6	12.60	8250	PS 55 2S 132 B5	132M	2
246.5	342	2.3	5.68	11000	PS 55 2S 160 B5	160S	4
247.6	341	2.9	11.31	7700	PS 55 2S 132 B5	132M	2
271.6	311	2.9	10.31	8150	PS 55 2S 132 B5	132M	2
276.1	306	2.6	5.07	10700	PS 55 2S 160 B5	160S	4
306.7	275	3.3	9.13	7600	PS 55 2S 132 B5	132M	2
307.7	274	2.9	4.55	10400	PS 55 2S 160 B5	160S	4
436.1	193	3.3	6.42	7720	PS 55 2S 132 B5	132M	2

PS SERIES / Inline Helical Gearbox

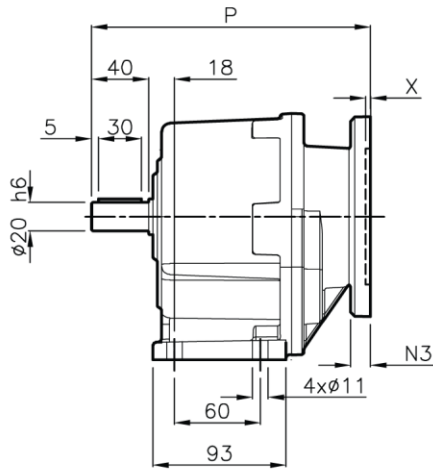
11 kW / 15 HP

n_2 o/p rpm	M_2 Nm	Sf_1	i Ratio	Rn_2 N	IEC Model	Motor Size	Pole
71.4	1397	0.9	12.60	12560	PS 55 2S 160 B5	160L	6
76.5	1305	0.9	18.31	11500	PS 55 2S 160 B5	160M	4
79.6	1254	1.0	11.31	11840	PS 55 2S 160 B5	160L	6
87.3	1143	1.0	10.31	11750	PS 55 2S 160 B5	160L	6
87.7	1138	1.0	15.96	12000	PS 55 2S 160 B5	160M	4
98.6	1012	1.2	9.13	11000	PS 55 2S 160 B5	160L	6
99.1	1007	1.1	14.13	11800	PS 55 2S 160 B5	160M	4
108.4	921	1.3	108.10	12300	PS 55 2S 160 B5	160S	2
110.6	903	1.3	8.14	10300	PS 55 2S 160 B5	160L	6
111.1	898	1.2	12.60	11700	PS 55 2S 160 B5	160M	4
122.4	815	1.5	22.87	12000	PS 55 2S 160 B5	160S	2
123.1	811	1.5	81.40	9650	PS 55 2S 160 B5	160L	6
123.8	806	1.4	11.31	11500	PS 55 2S 160 B5	160M	4
135.8	735	1.5	10.31	11700	PS 55 2S 160 B5	160M	4
137.3	727	1.7	20.40	11800	PS 55 2S 160 B5	160S	2
140.2	712	1.7	6.42	9450	PS 55 2S 160 B5	160L	6
152.9	653	1.7	18.31	11300	PS 55 2S 160 B5	160S	2
153.3	651	1.7	9.13	11500	PS 55 2S 160 B5	160M	4
158.5	630	1.9	5.68	8790	PS 55 2S 160 B5	160L	6
172.0	580	1.9	8.14	11200	PS 55 2S 160 B5	160M	4
175.4	569	1.8	15.96	11300	PS 55 2S 160 B5	160S	2
177.5	562	2.1	5.07	8160	PS 55 2S 160 B5	160L	6
191.5	521	2.1	7.31	11000	PS 55 2S 160 B5	160M	4
197.8	505	2.4	4.55	8080	PS 55 2S 160 B5	160L	6
198.2	504	2.0	14.13	8800	PS 55 2S 160 B5	160S	2
218.1	458	1.7	6.42	10900	PS 55 2S 160 B5	160M	4
222.2	449	2.2	12.60	8250	PS 55 2S 160 B5	160S	2
246.5	405	2.0	5.68	10700	PS 55 2S 160 B5	160M	4
247.6	403	2.5	11.31	7700	PS 55 2S 160 B5	160S	2
271.6	367	2.4	10.31	8150	PS 55 2S 160 B5	160S	2
276.1	361	2.2	5.07	10400	PS 55 2S 160 B5	160M	4
306.7	325	2.8	9.13	7600	PS 55 2S 160 B5	160S	2
307.7	324	2.5	4.55	10200	PS 55 2S 160 B5	160M	4
344.0	290	3.1	8.14	7100	PS 55 2S 160 B5	160S	2
383.0	261	3.5	7.31	6650	PS 55 2S 160 B5	160S	2
436.1	229	2.8	6.42	7720	PS 55 2S 160 B5	160S	2
493.0	202	3.2	5.68	7300	PS 55 2S 160 B5	160S	2
552.3	181	3.5	5.07	6850	PS 55 2S 160 B5	160S	2

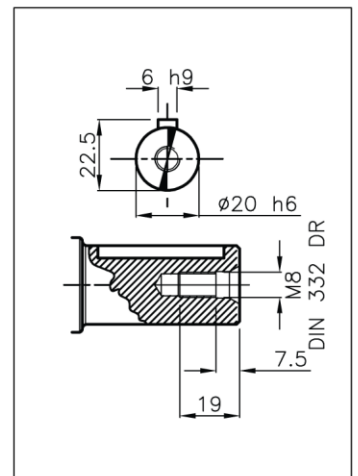
PS SERIES / Inline Helical Gearbox**15 kW / 20 HP**

n_2 o/p rpm	M_2 Nm	Sf_1	i Ratio	Rn_2 N	IEC Model	Motor Size	Pole
108.4	1256	1.0	25.84	10700	PS 55 2S 160 B5	160M	2
111.1	1225	0.9	12.60	10200	PS 55 2S 160 B5	160L	4
122.4	1112	1.1	22.87	10500	PS 55 2S 160 B5	160M	2
123.8	1099	1.0	11.31	10100	PS 55 2S 160 B5	160L	4
135.8	1002	1.1	10.31	10500	PS 55 2S 160 B5	160L	4
137.3	991	1.2	20.40	10300	PS 55 2S 160 B5	160M	2
152.9	890	1.2	18.31	10200	PS 55 2S 160 B5	160M	2
153.3	887	1.2	108.10	10400	PS 55 2S 160 B5	160L	4
172.0	791	1.4	8.14	10200	PS 55 2S 160 B5	160L	4
175.4	776	1.3	15.96	10400	PS 55 2S 160 B5	160M	2
191.5	711	1.5	7.31	10100	PS 55 2S 160 B5	160L	4
198.2	687	1.5	81.40	10200	PS 55 2S 160 B5	160M	2
218.1	624	1.3	6.42	10200	PS 55 2S 160 B5	160L	4
222.2	612	1.6	12.60	10000	PS 55 2S 160 B5	160M	2
246.5	552	1.4	5.68	10000	PS 55 2S 160 B5	160L	4
247.6	550	1.8	11.31	9890	PS 55 2S 160 B5	160M	2
271.6	501	1.8	10.31	9940	PS 55 2S 160 B5	160M	2
276.1	493	1.6	5.07	9810	PS 55 2S 160 B5	160L	4
306.7	444	2.0	9.13	9710	PS 55 2S 160 B5	160M	2
307.7	442	1.8	4.55	9610	PS 55 2S 160 B5	160L	4
344.0	396	2.3	8.14	9430	PS 55 2S 160 B5	160M	2
383.0	355	2.5	7.31	9280	PS 55 2S 160 B5	160M	2
436.1	312	2.1	6.42	9160	PS 55 2S 160 B5	160M	2
493.0	276	2.3	5.68	8920	PS 55 2S 160 B5	160M	2
552.3	246	2.6	5.07	8680	PS 55 2S 160 B5	160M	2
615.4	221	2.9	4.55	8460	PS 55 2S 160 B5	160M	2

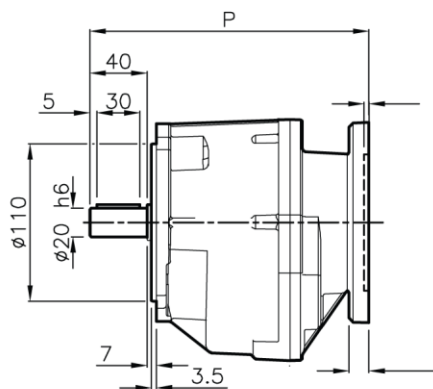
P 2S P 3S



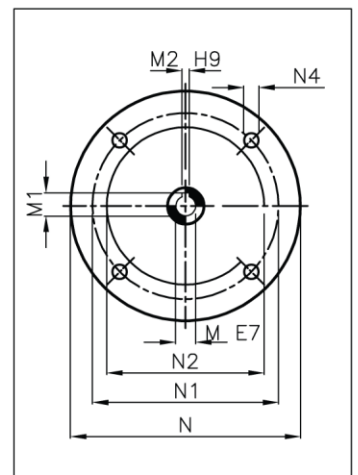
Output



F 2S F 3S



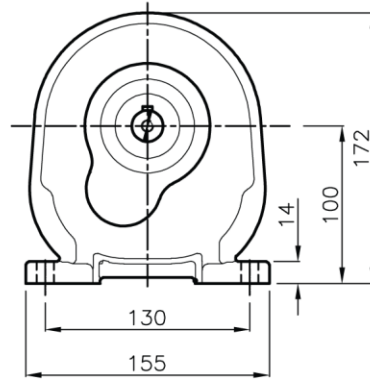
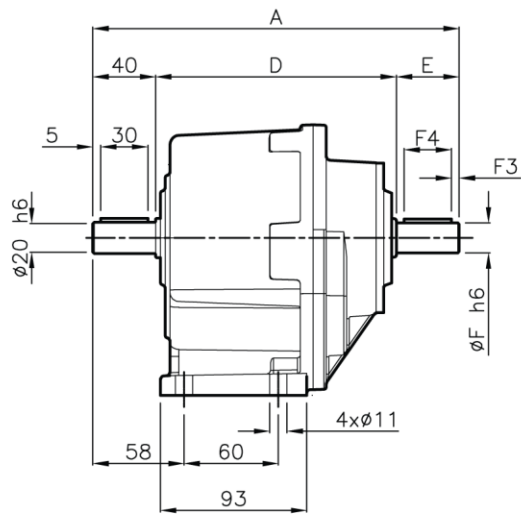
Input



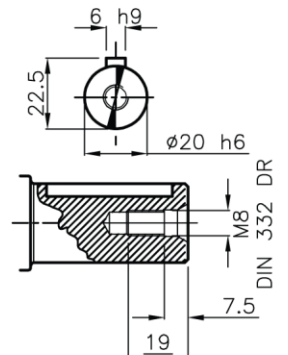
PS 20

	M	M1	M2	N	N1	N2	N3	N4	X	P	F	kg
PS 20 2S_063	11	12.8	4	140	115	95	-	M8x19	3.5	195	195	9.8
PS 20 2S_071	14	16.3	5	160	130	110	-	M8x16	5	195	195	9.8
PS 20 2S_080	19	21.8	6	200	165	130	-	M10x12	5	200	200	9.8
PS 20 2S_090	24	27.3	8	200	165	130	-	M10x12	5	200	200	9.8
PS 20 3S_063	11	12.8	4	140	115	95	-	M8x19	3.5	194	194	9.6
PS 20 3S_071	14	16.3	5	160	130	110	-	M8c16	3.5	194	194	9.6

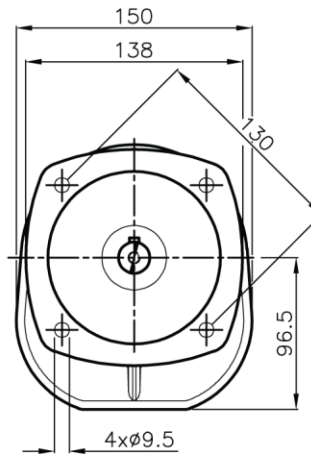
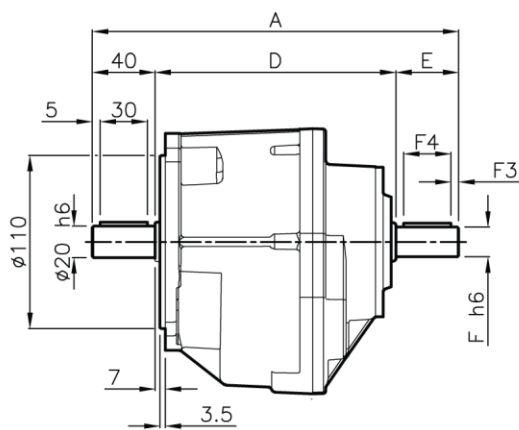
P 2S HS P 3S HS



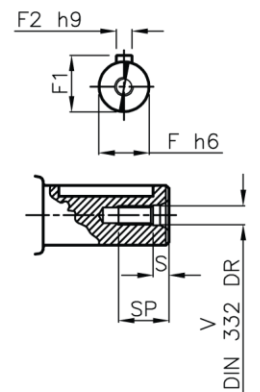
Output



F 2S HS F 3S HS



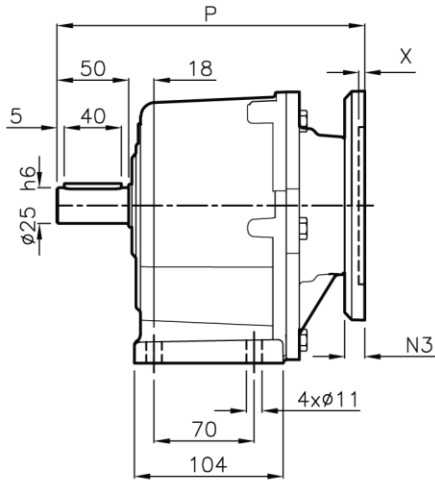
Input



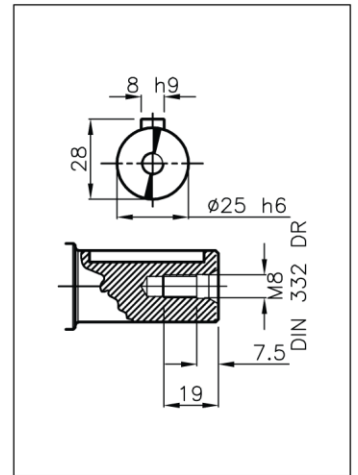
PS 20

	A	D	E	F	F1	F2	F3	F4	V	S	SP	KG
PS 20 P 2S_HS	233	153	40	19	21.5	6	5	30	M6	5	16	9.8
PS 20 F 2S_HS	233	153	40	19	21.5	6	5	30	M6	5	16	9.8
PS 20 P 3S_HS	230	153	40	16	18	5	5	30	M6	5	16	9.8
PS 20 F 3S_HS	230	153	40	16	18	5	5	30	M6	5	16	9.8

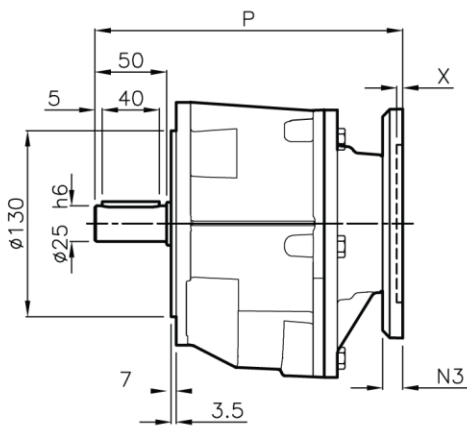
P 2S
P 3S



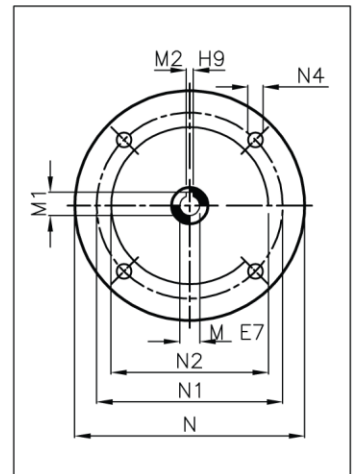
Output



F 2S
F 3S



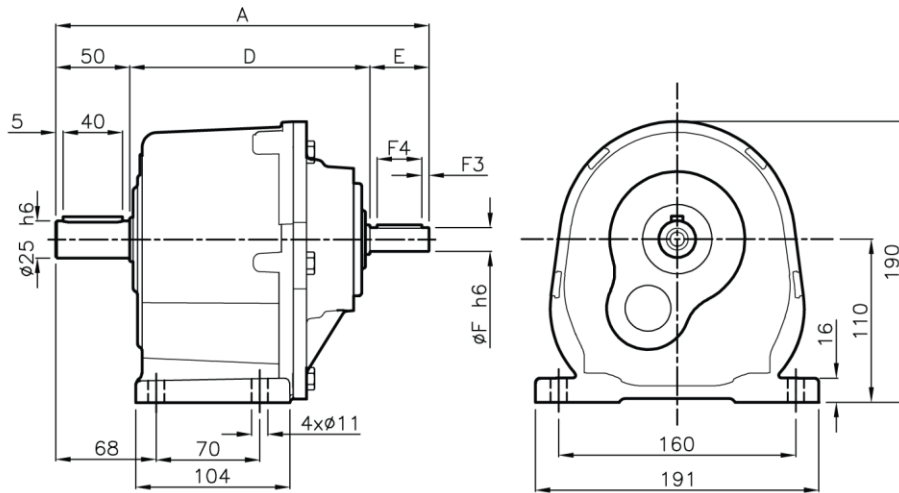
Input



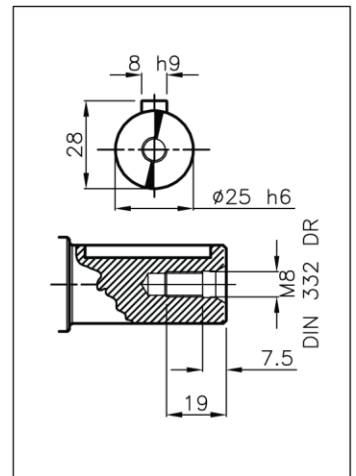
PS 25

	M	M1	M2	N	N1	N2	N3	N4	X	P	F	kg
PS 25 2S_071	14	16.3	5	160	130	110	-	M8x16	4	215	215	14
PS 25 2S_080	19	21.8	6	200	165	130	-	M10x12	5	220	220	14
PS 25 2S_090	24	27.3	8	200	165	130	-	M10x12	5	220	220	14
PS 25 3S_063	11	12.8	4	140	115	95	-	M8x19	3.5	214	214	13.5
PS 25 3S_071	14	16.3	5	160	130	110	-	M8x16	4	214	214	13.5

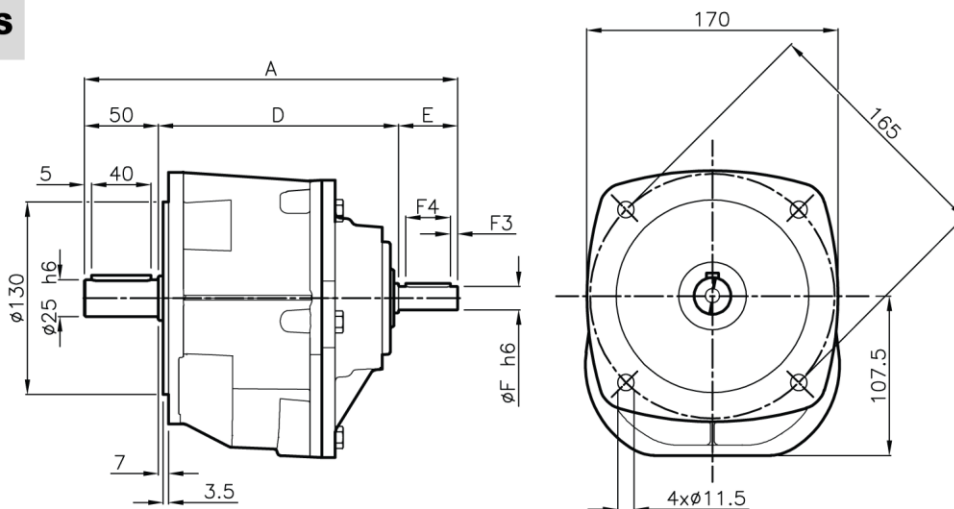
P 2S HS P 3S HS



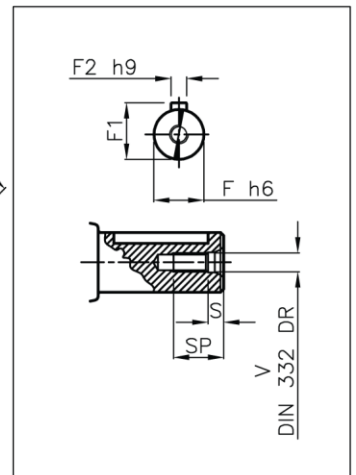
Output



F 2S HS F 3S HS



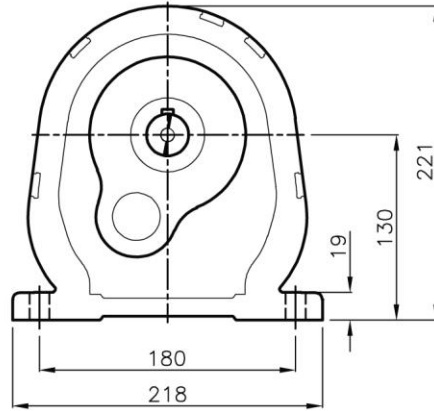
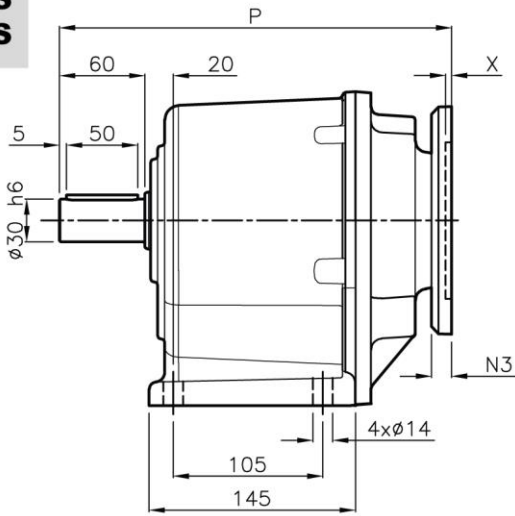
Input



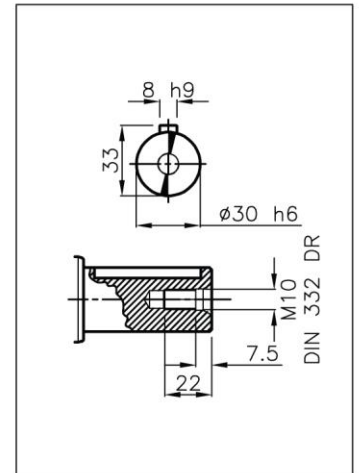
PS 25

	A	D	E	F	F1	F2	F3	F4	V	S	SP	KG
PS 25 P 2S_HS	252	162	40	19	21.5	6	5	30	M6	5	16	14
PS 25 F 2S_HS	252	162	40	19	21.5	6	5	30	M6	5	16	14
PS 25 P 3S_HS	250	160	40	16	18	5	5	30	M6	5	16	13.5
PS 25 F 3S_HS	250	160	40	16	18	5	5	30	M6	5	16	13.5

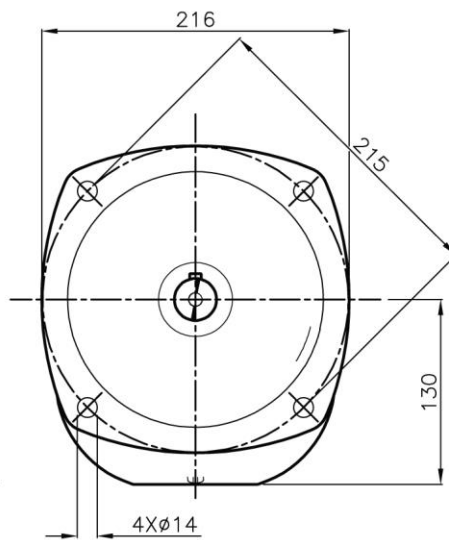
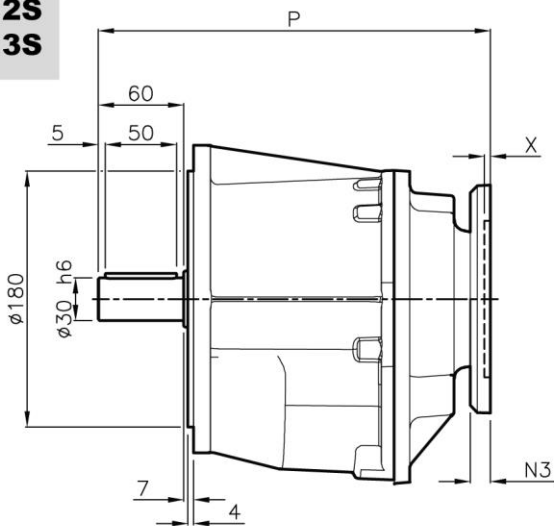
**P 2S
P 3S**



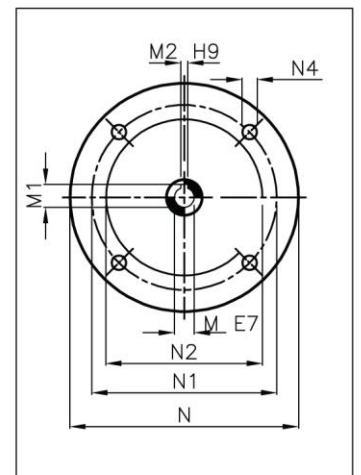
Output



**F 2S
F 3S**



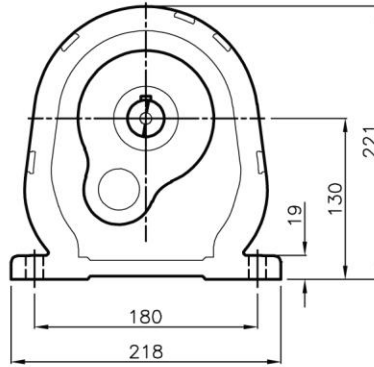
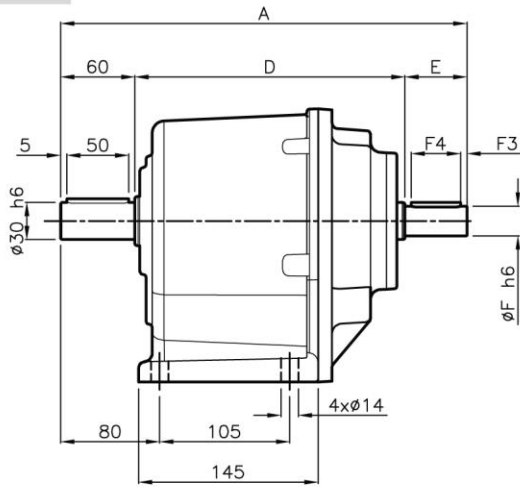
Input



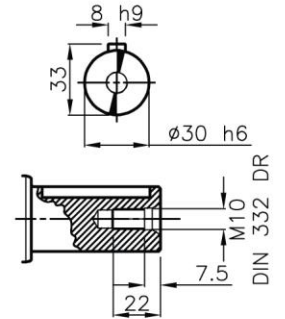
PS 30

	M	M1	M2	N	N1	N2	N3	N4	X	P	F	kg
PS 30 2S_071	14	16.3	5	160	130	110	-	M8x16	4	283	283	23
PS 30 2S_080	19	21.8	6	200	165	130	-	M10x12	5	283	283	23
PS 30 2S_090	24	27.3	8	200	165	130	-	M10x12	5	283	283	23
PS 30 2S_100	28	31.3	8	250	215	180	-	M12x16	5	283	283	23
PS 30 2S_112	28	31.3	8	250	215	180	-	M12x16	5	283	283	23
PS 30 3S_071	14	16.3	5	160	130	110	-	M8x19	4	275	275	22.5
PS 30 3S_080	19	21.8	5	200	165	130	-	M10x19	5	280	280	22.5
PS 30 3S_090	24	27.3	5	200	165	130	-	M10x19	5	280	280	22.5

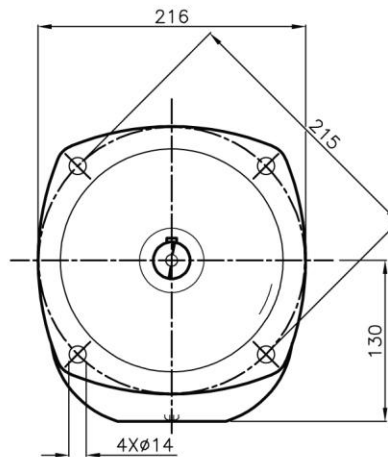
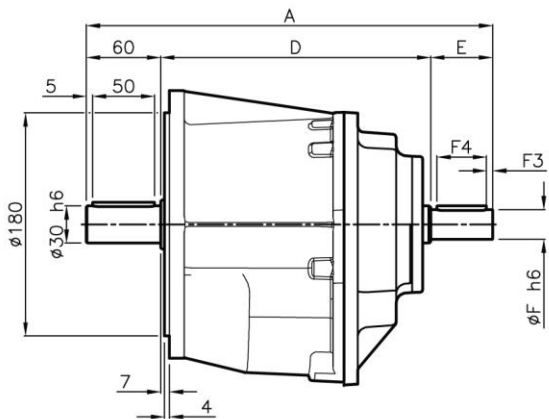
P 2S HS P 3S HS



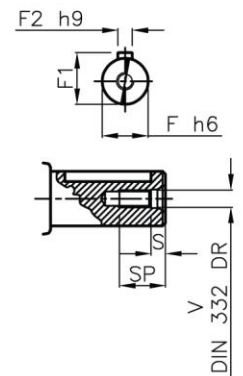
Output



F 2S HS F 3S HS



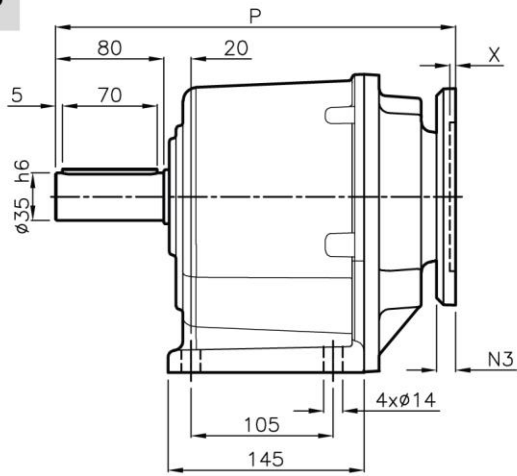
Input



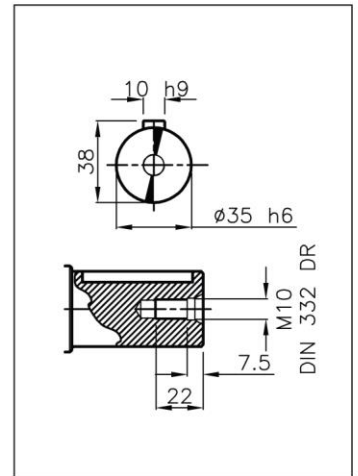
PS 30

	A	D	E	F	F1	F2	F3	F4	V	S	SP	KG
PS 30 P 2S_HS	329	219	50	24	27	8	5	40	M8	6	19	23
PS 30 F 2S_HS	329	219	50	24	27	8	5	40	M8	6	19	23
PS 30 P 3S_HS	313	213	40	19	21.5	6	5	30	M6	5	16	22.5
PS 30 F 3S_HS	313	213	40	19	21.5	6	5	30	M6	5	16	22.5

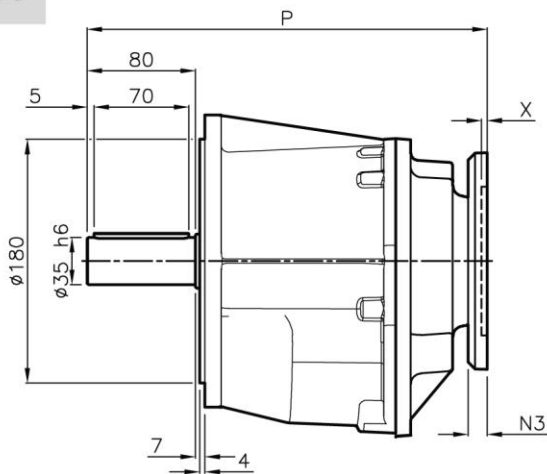
P 2S P 3S



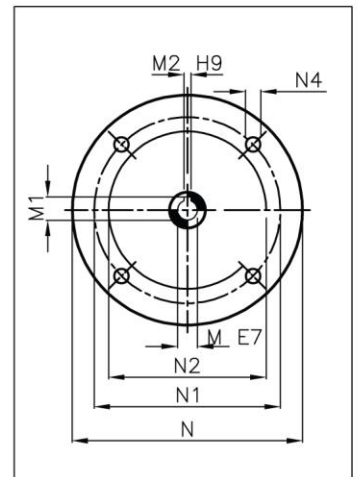
Output



F 2S F 3S



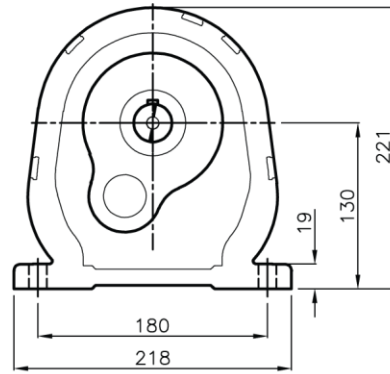
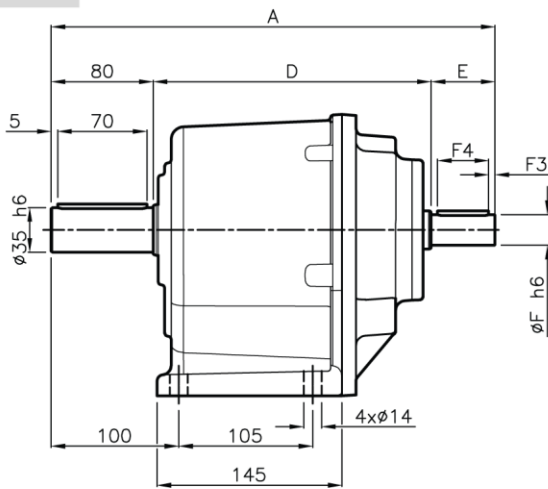
Input



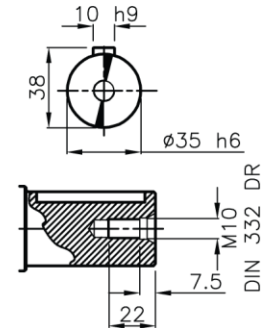
PS 35

	M	M1	M2	N	N1	N2	N3	N4	X	P	F	kg
PS 35 2S_071	14	16.3	5	160	130	110	-	M8x16	4	303	303	24
PS 35 2S_080	19	21.8	6	200	165	130	-	M10x12	5	303	303	24
PS 35 2S_090	24	27.3	8	200	165	130	-	M10x12	5	303	303	24
PS 35 2S_100	28	31.3	8	250	215	180	-	M12x16	5	303	303	24
PS 35 2S_112	28	31.3	8	250	215	180	-	M12x16	5	303	303	24
PS 35 3S_071	14	16.3	5	160	130	110	-	M8x19	4	295	295	23.5
PS 35 3S_080	19	21.8	5	200	165	130	-	M10x19	5	300	300	23.5
PS 35 3S_090	24	27.3	5	200	165	130	-	M10x19	5	300	300	23.5

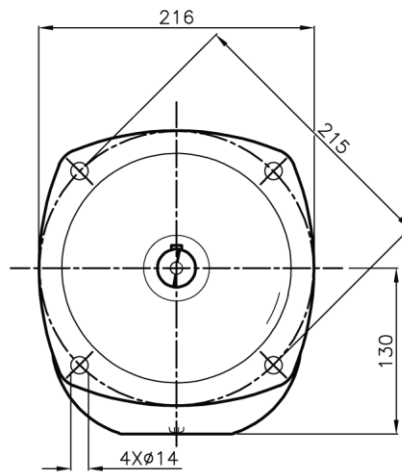
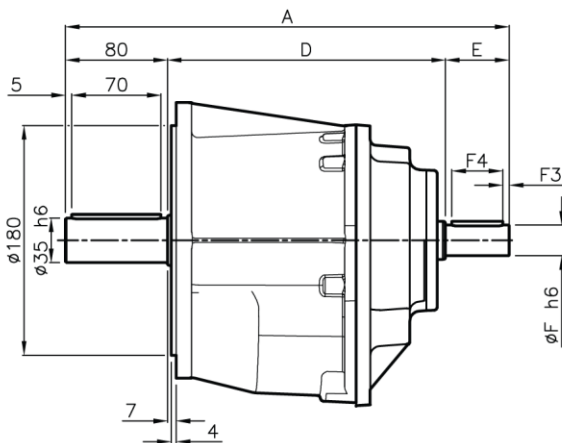
P 2S HS P 3S HS



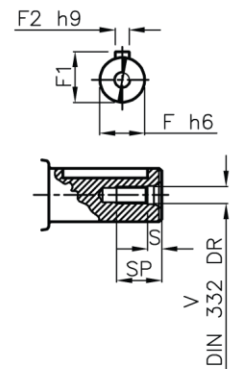
Output



F 2S HS F 3S HS



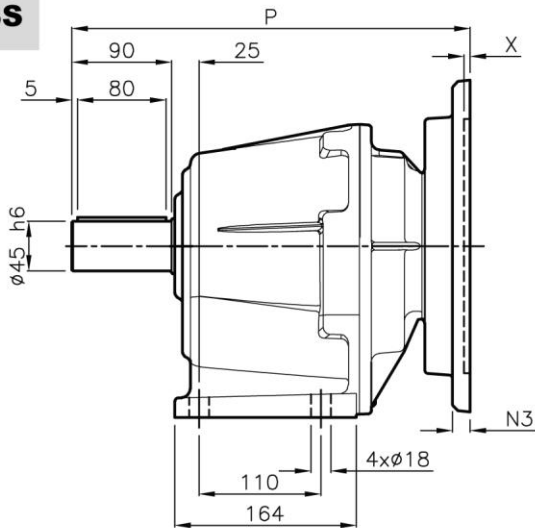
Input



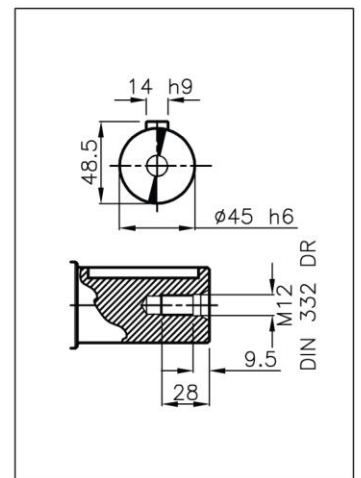
PS 35

	A	D	E	F	F1	F2	F3	F4	V	S	SP	KG
PS 35 P 2S_HS	349	219	50	24	27	8	5	40	M8	6	19	24
PS 35 F 2S_HS	349	219	50	24	27	8	5	40	M8	6	19	24
PS 35 P 3S_HS	333	213	40	19	21.5	6	5	30	M6	5	16	23.5
PS 35 F 3S_HS	333	213	40	19	21.5	6	5	30	M6	5	16	23.5

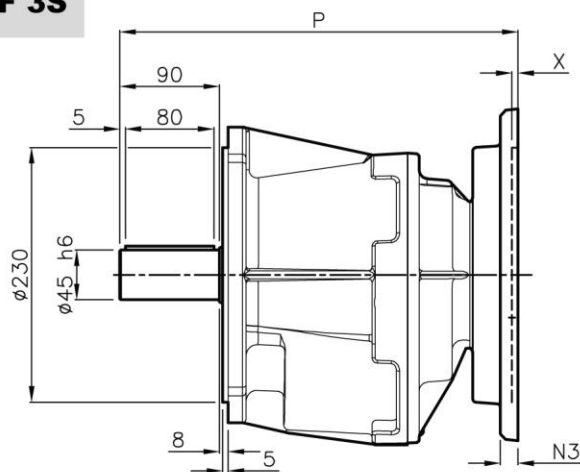
P 2S P 3S



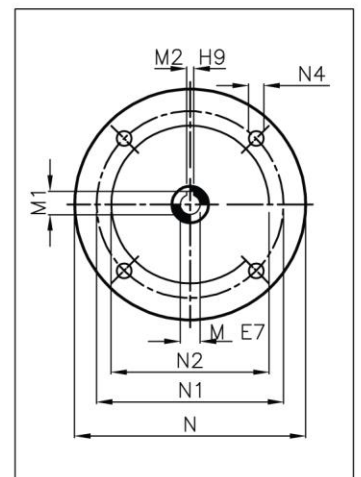
Output



F 2S F 3S



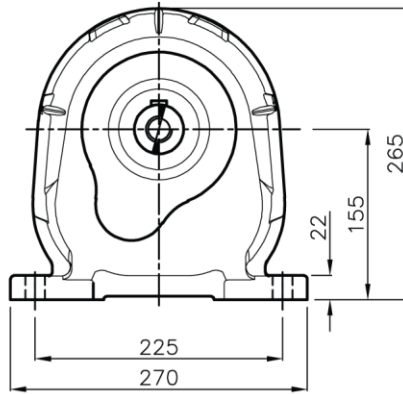
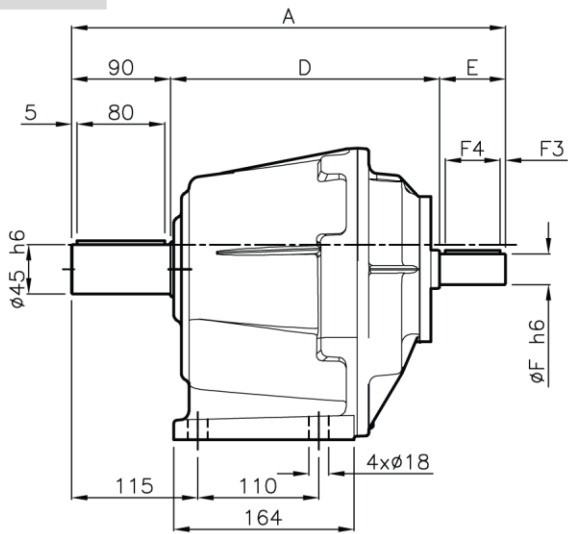
Input



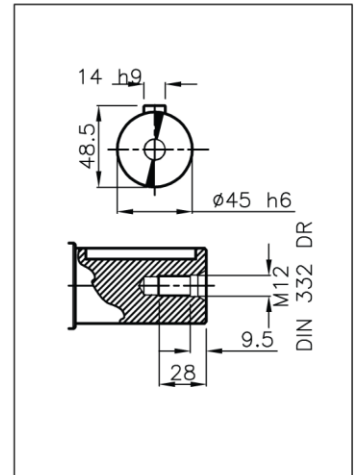
PS 45

	M	M1	M2	N	N1	N2	N3	N4	X	P	F	kg
PS 45 2S_090	24	27.3	8	200	165	130	-	M10x12	4	340	340	40
PS 45 2S_100	28	31.3	8	250	215	180	16	16	5	340	340	40
PS 45 2S_112	28	31.3	8	250	215	180	16	13	5	340	340	40
PS 45 2S_132	38	41.3	10	300	265	230	16	14	5	360	360	40
PS 45 3S_071	14	16.3	5	160	130	110	-	M8x16	4	350	350	35
PS 45 3S_080	19	21.8	6	200	165	130	-	M10x19	5	350	350	35
PS 45 3S_090	24	27.3	8	200	165	130	-	M10x19	5	350	350	35
PS 45 3S_100	28	31.3	8	250	215	180	-	M12x16	5	350	350	35
PS 45 3S_112	28	31.3	8	250	215	180	-	M12x16	5	350	350	35

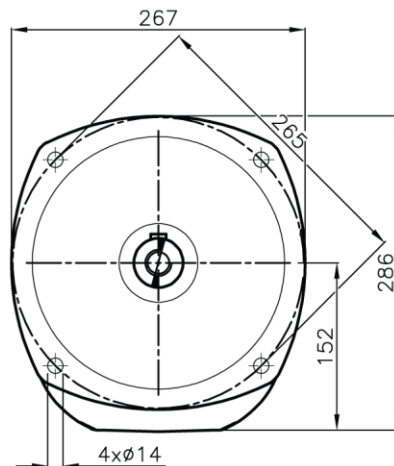
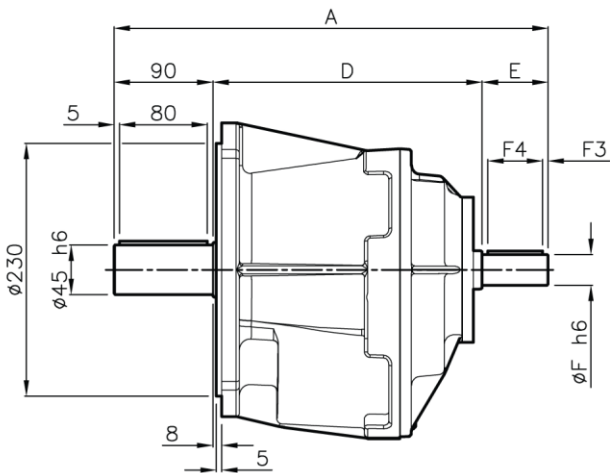
P 2S HS P 3S HS



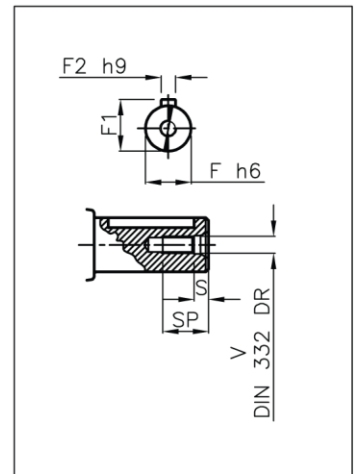
Output



F 2S HS F 3S HS



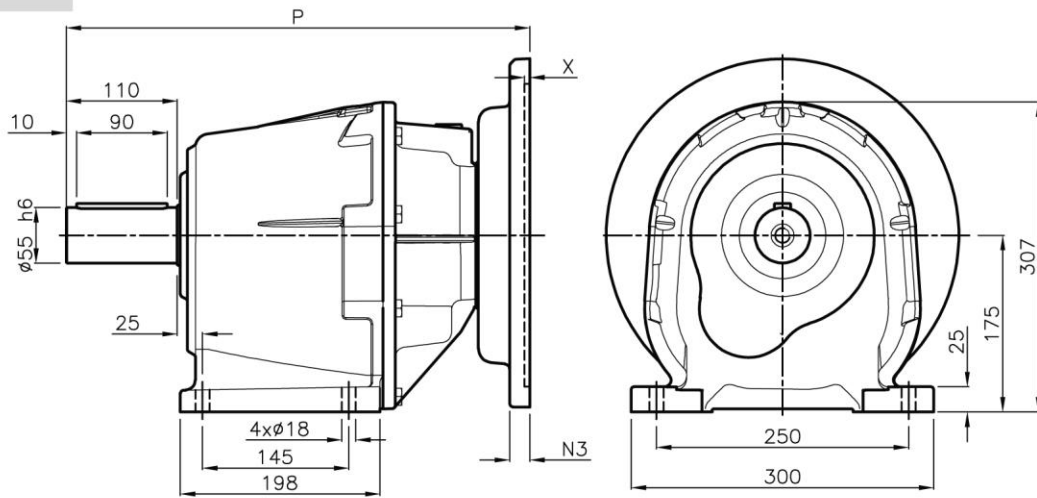
Input



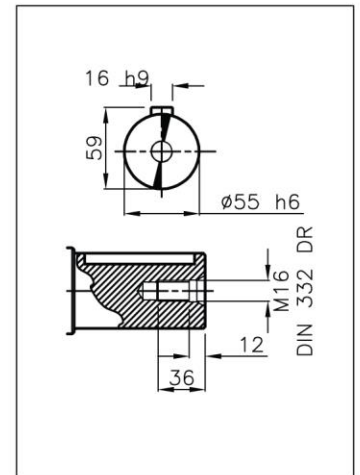
PS 45

	A	D	E	F	F1	F2	F3	F4	V	S	SP	KG
PS 45 P 2S_HS	395	245	60	28	31	8	5	50	M10	7.5	22	40
PS 45 F 2S_HS	395	245	60	28	31	8	5	50	M10	7.5	22	40
PS 45 P 3S_HS	395	255	50	24	27	8	5	40	M8	6	19	35
PS 45 F 3S_HS	395	255	50	24	27	8	5	40	M8	6	19	35

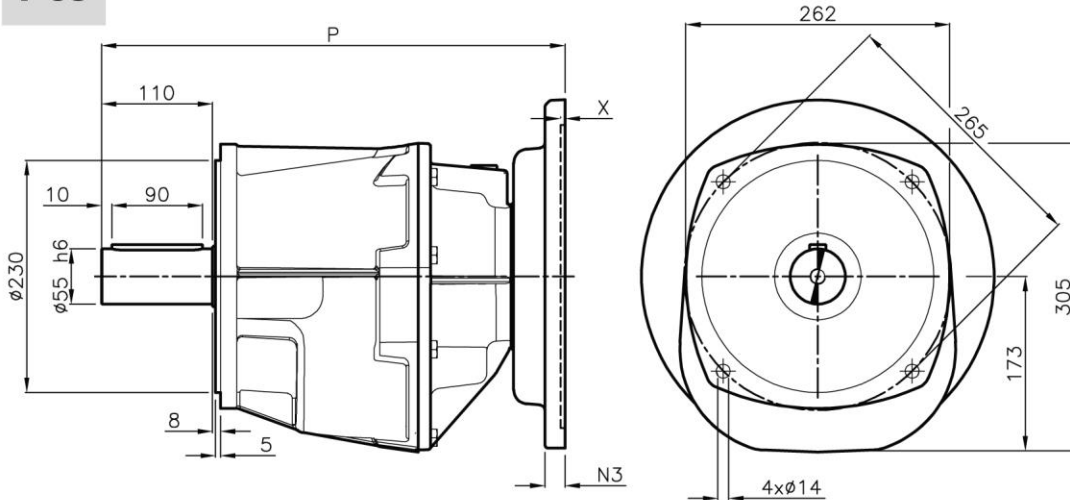
P 2S P 3S



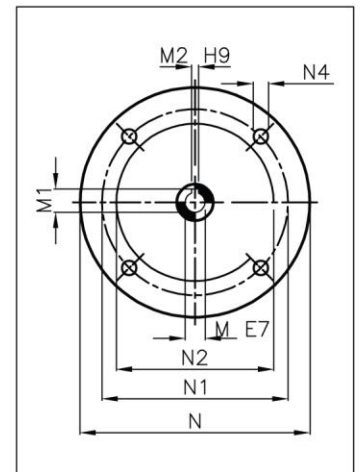
Output



F 2S F 3S



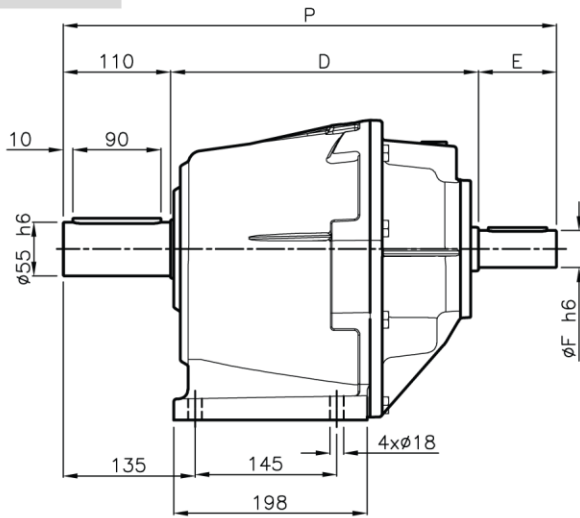
Input



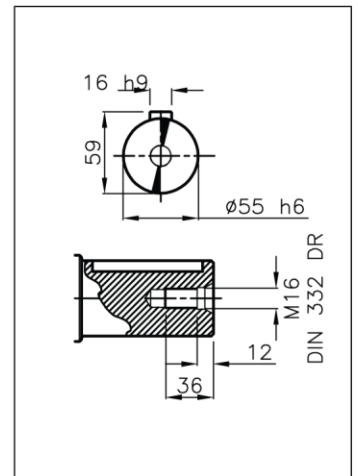
PS 55

	M	M1	M2	N	N1	N2	N3	N4	X	P	F	kg
PS 55 2S_100	28	31.3	8	250	215	180	16	13	5	430	430	61
PS 55 2S_112	28	31.3	8	250	215	180	16	13	5	430	430	61
PS 55 2S_132	38	41.3	10	300	265	230	16	14	5	430	430	61
PS 55 2S_160	42	45.3	12	350	300	250	20	18	6	460	460	61
PS 55 3S_080	19	21.8	6	200	165	130	-	M10x19	4	422	422	56
PS 55 3S_090	24	27.3	8	200	165	130	-	M10x19	4	422	422	56
PS 55 3S_100	28	31.3	8	250	215	180	-	M12x16	5	422	422	56
PS 55 3S_112	28	27.3	8	200	215	180	-	M12x16	5	442	442	56
PS 55 3S_132	38	41.3	10	300	265	230	16	14	5	442	442	56

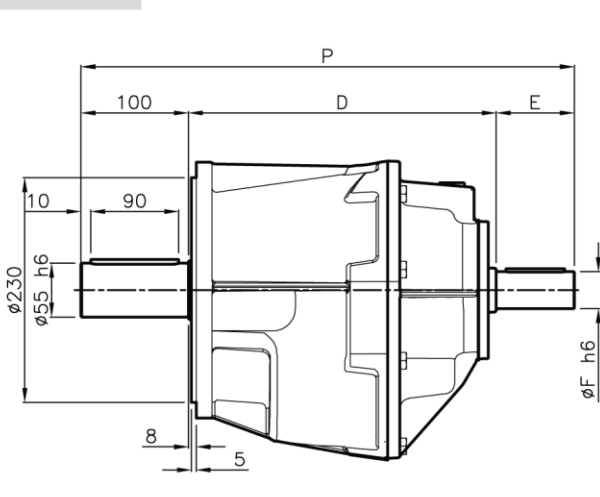
P 2S HS P 3S HS



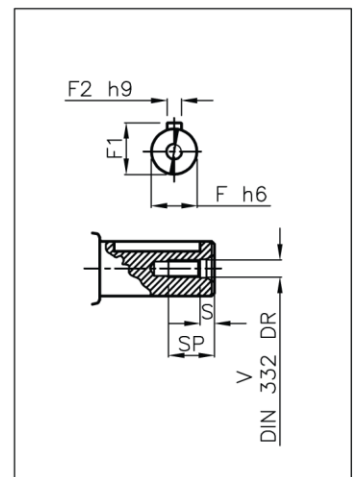
Output



F 2S HS F 3S HS



Input



PS 55

	A	D	E	F	F1	F2	F3	F4	V	S	SP	KG
PS 55 P 2S_HS	505	315	80	38	41	10	10	60	M12	9.5	28	61
PS 55 F 2S_HS	505	315	80	38	41	10	10	60	M12	9.5	28	61
PS 55 P 3S_HS	476	305	60	28	31	8	5	50	M10	7.5	22	56
PS 55 F 3S_HS	476	305	60	28	31	8	5	50	M10	7.5	22	56

Notes



ABOUT US

Established in 1984, Indosculp is a **IATF 16949** certified company. Based in Ahmednagar, we have 40,000 Sq. Ft State of the Art Manufacturing Facility. Indosculp specializes in the production of In-line Helical gearboxes for industrial, quarry and mining applications.

The PS Series gear units are designed in unibox housing to consume optimal installation space and can operate in harsh environments with minimum downtimes. Strict quality control measures are adopted at each stage of manufacturing and assembly of the gearbox.

Excellence is our number one priority.

We use the latest technologies to optimize our daily production. Indosculp is fully committed to a more sustainable workplace and supports various local initiatives.

All Indosculp employees pay utmost attention to smallest details, to ensure that our customers receive products with unrivalled quality.

APPLICATIONS



Oven, Dryer, Fryer



Mixer, Kneader, Crushers



Bagging Machines & Conveyors



Palletizing Machines



Wrapping Machines



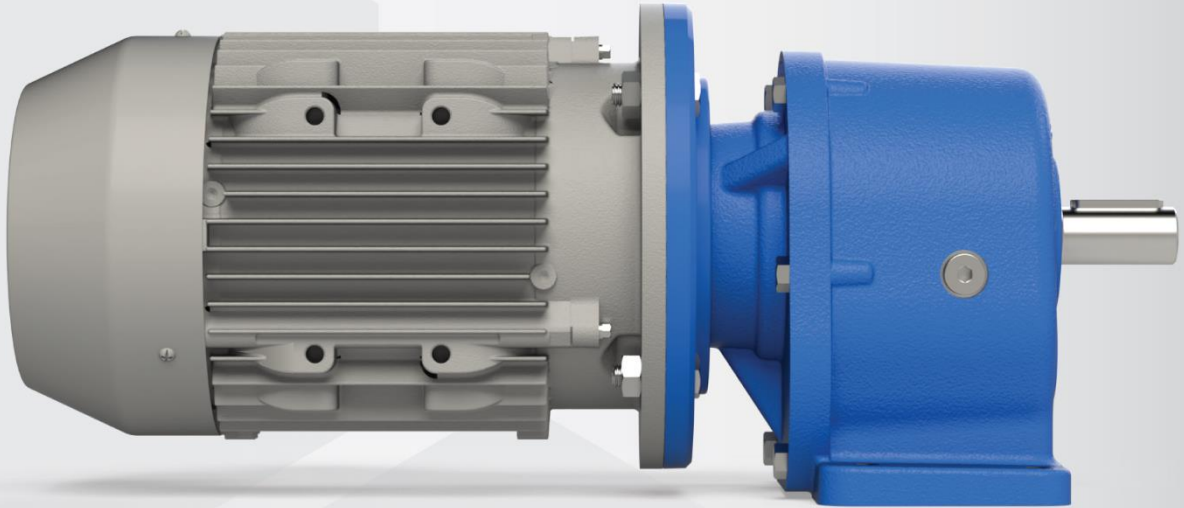
Drag Conveyor



Feeding Systems, Washing & Sorting Systems



Overhead Cranes, Gantry Cranes



INDOSCULP

IATF 16949 Certified Company

**INDOSCULP AUTOCOMP
PRIVATE LIMITED**

📍 A-67, MIDC - 414111
Ahmednagar (MH), India

☎ +91 **88888 14505**
+91 **88888 14506**
+91 **88888 14502**

✉ marketing@indosculp.com
info@indosculp.com
🌐 www.indosculp.com